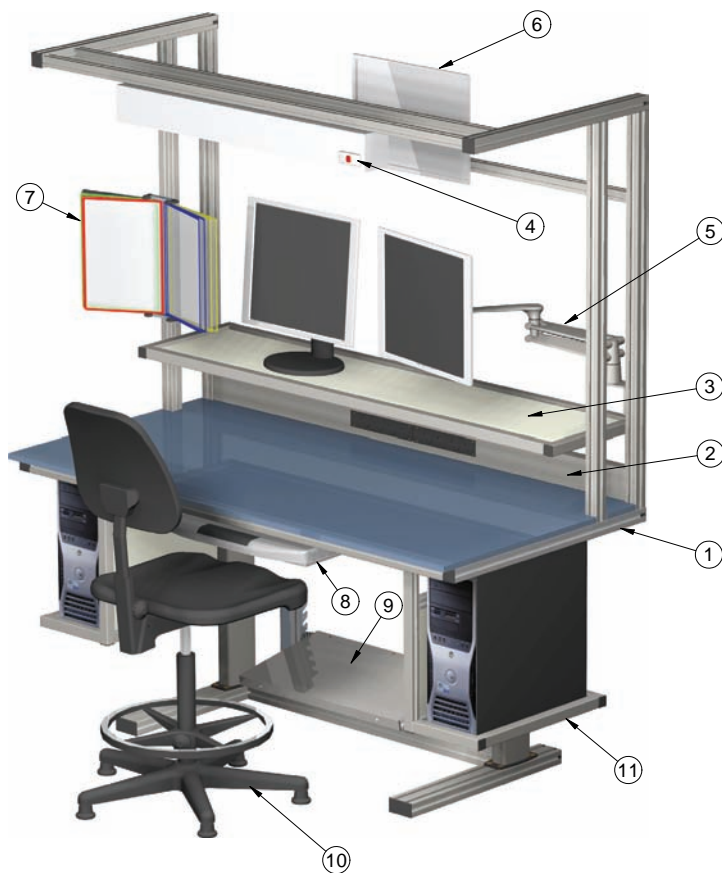


ErgoMan 168 workstations
bench top size 1600x800mm

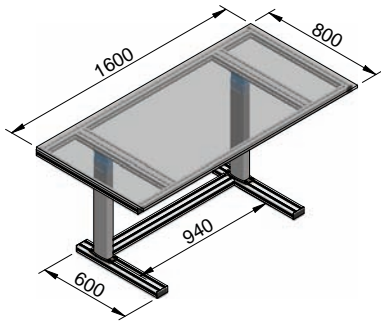


ErgoMan 168 (1600x800)

1 ErgoMan model 800/168
bench top size 1600x800

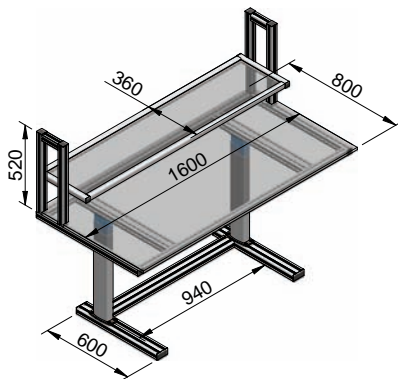
accessories

- 2 electrical duct
- 3 adjustable storage shelf
- 4 overhead light unit
- 5 adjustable monitor arm
- 6 instruction card holder A3 size
- 7 10 pocket document holder (A4)
- 8 keyboard drawer
- 9 adjustable foot rest
- 10 ErgoChair
- 11 PC holder shelf



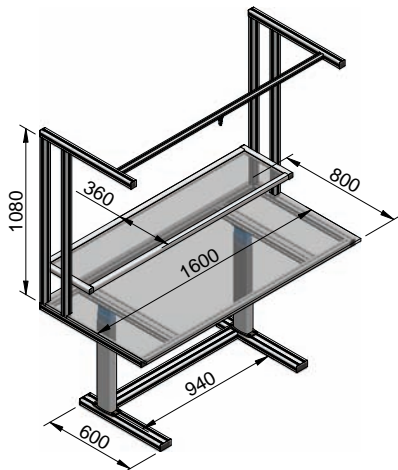
model 500/168
bench top size 1600x800

- standard features:
- aluminium frame
 - electric height adjustment
height range 680-1200mm
lifting capacity: 160kg
speed 43mm/sec
 - bench top size: 1600x800
16mm MDF melamine board,
square edged - silver grey



model 700/168
bench top size 1600x800

- standard features:
- aluminium frame
 - electric height adjustment
height range 680-1200mm
lifting capacity: 160kg
speed 43mm/sec
 - bench top size: 1600x800
16mm MDF melamine board,
square edged - silver grey
 - adjustable storage shelf



model 800/168
bench top size 1600x800

- standard features:
- aluminium frame
 - electric height adjustment
height range 680-1200mm
lifting capacity: 160kg
speed 43mm/sec
 - bench top size: 1600x800
16mm MDF melamine board,
square edged - silver grey
 - adjustable storage shelf
 - overhead tool hanger bar



organization is a sign of efficiency

necessary tools and materials must be at the worker's fingertips in order to be efficient

there is no time lost in looking for parts or tools if the workplace is properly organized for the work performed there

a tool kept in its own place stays in good condition for a long time. AME System workplace solutions make it easy to implement lean manufacturing tools such as 5S (sort-set-sustain-shine-standardize)