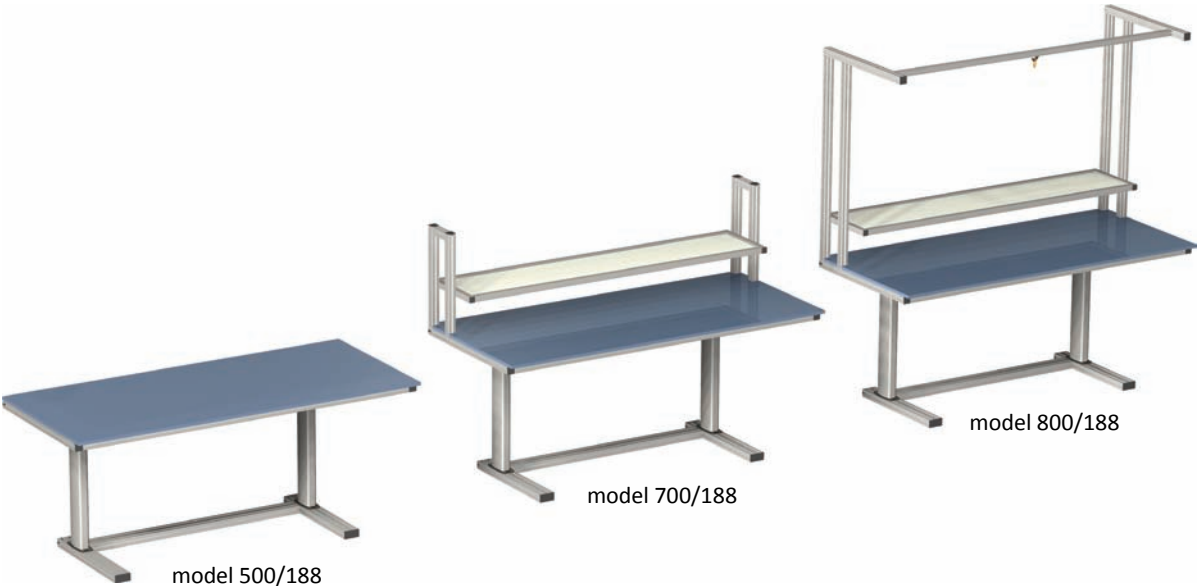


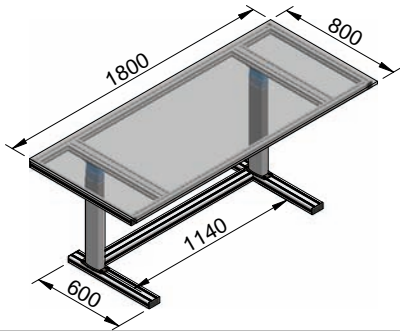
ErgoMan 188 Workstations
 bench top size 1800x800mm



ErgoMan 188 (1800x800)

1 ErgoMan model 800/188
 bench top size 1800x800

- accessories**
- 2 electrical duct
 - 3 adjustable storage shelf
 - 4 adjustable monitor arm
 - 5 overhead light unit
 - 6 10 pocket document holder (A4)
 - 7 keyboard drawer
 - 8 adjustable foot rest
 - 9 ErgoChair
 - 10 PC holder shelf

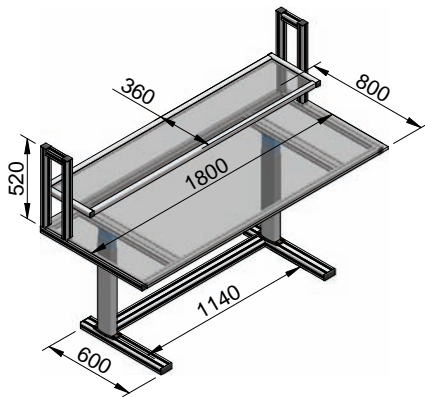


model 500/188

bench top size 1800x800

standard features:

- aluminium frame
- electric height adjustment
height range 680-1200mm
lifting capacity: 160kg
speed 43mm/sec
- bench top size: 1800x800
16mm MDF melamine board,
square edged - silver grey

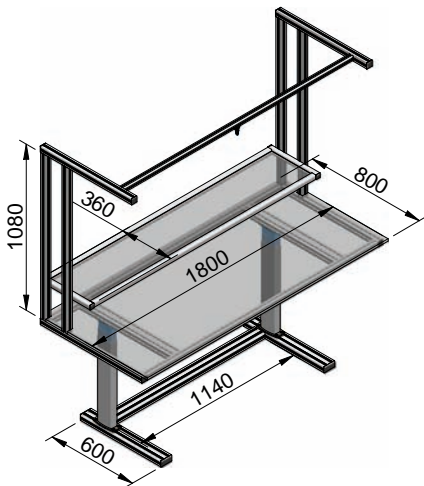


model 700/188

bench top size 1800x800

standard features:

- aluminium frame
- electric height adjustment
height range 680-1200mm
lifting capacity: 160kg
speed 43mm/sec
- bench top size: 1800x800
16mm MDF melamine board,
square edged - silver grey
- adjustable storage shelf



model 800/188

bench top size 1800x800

standard features:

- aluminium frame
- electric height adjustment
height range 680-1200mm
lifting capacity: 160kg
speed 43mm/sec
- bench top size: 1800x800
16mm MDF melamine board,
square edged - silver grey
- adjustable storage shelf
- overhead tool hanger bar



ergonomics improves satisfaction and productivity

the main objectives of ergonomic design are ensuring employee's health, increasing work satisfaction and improving individual productivity

AME System ErgoMan series workstation's ultimate goal is to ensure a relaxed working position where the work movements can follow the individual's natural way of moving