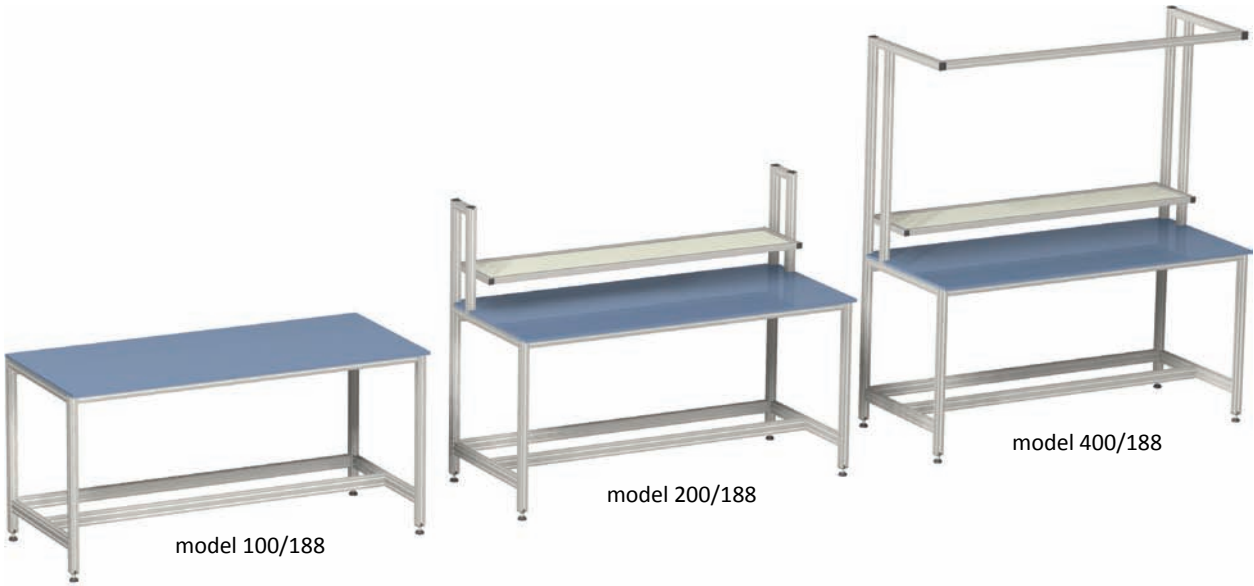


ErgoStyle 188 workstations  
bench top size 1800x800mm

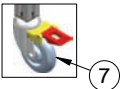


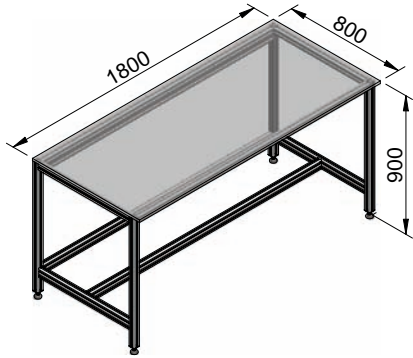
**ErgoStyle 188 (1800x800)**

1 ErgoStyle model 400/188  
bench top size 1800x800

**accessories**

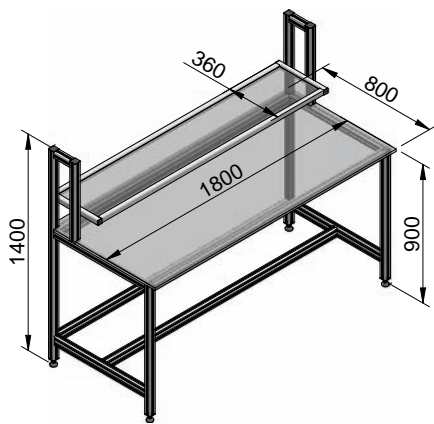
- 2 cupboard with sliding doors
- 3 electrical duct
- 4 adjustable storage shelf
- 5 overhead light unit
- 6 ErgoChair
- 7 Ø100mm wheel castors





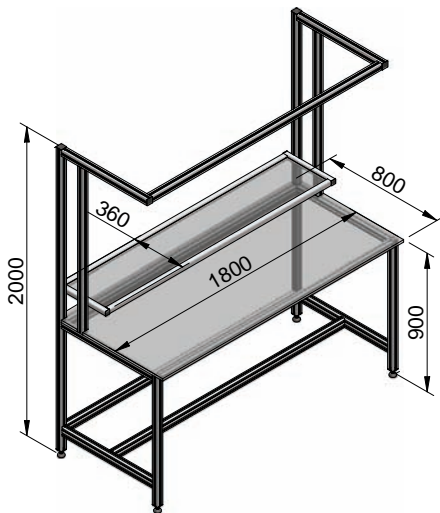
**model 100/188**  
bench top size 1800x800

- standard features:
- aluminium frame
  - four levelling feet
  - bench topsize: 1800x800
  - 16mm MDF melamine board, square edged - silver grey



**model 200/188**  
bench top size 1800x800

- standard features:
- aluminium frame
  - four levelling feet
  - bench top size: 1800x800
  - 16mm MDF melamine board, square edged - silver grey
  - adjustable storage shelf



**model 400/188**  
bench top size 1800x800

- standard features:
- aluminium frame
  - four levelling feet
  - bench top size: 1800x800
  - 16mm MDF melamine board, square edged - silver grey
  - adjustable storage shelf
  - overhead tool hanger bar



**AME System - leader in ergonomic workstation design**

many of our projects are designed for our customer's unique applications; it starts with a call or a fax to our office of your freehand sketch

we will return your ideas with our drawings and with a quotation

in designing our products we incorporate ergonomics, aesthetics, strength and modularity