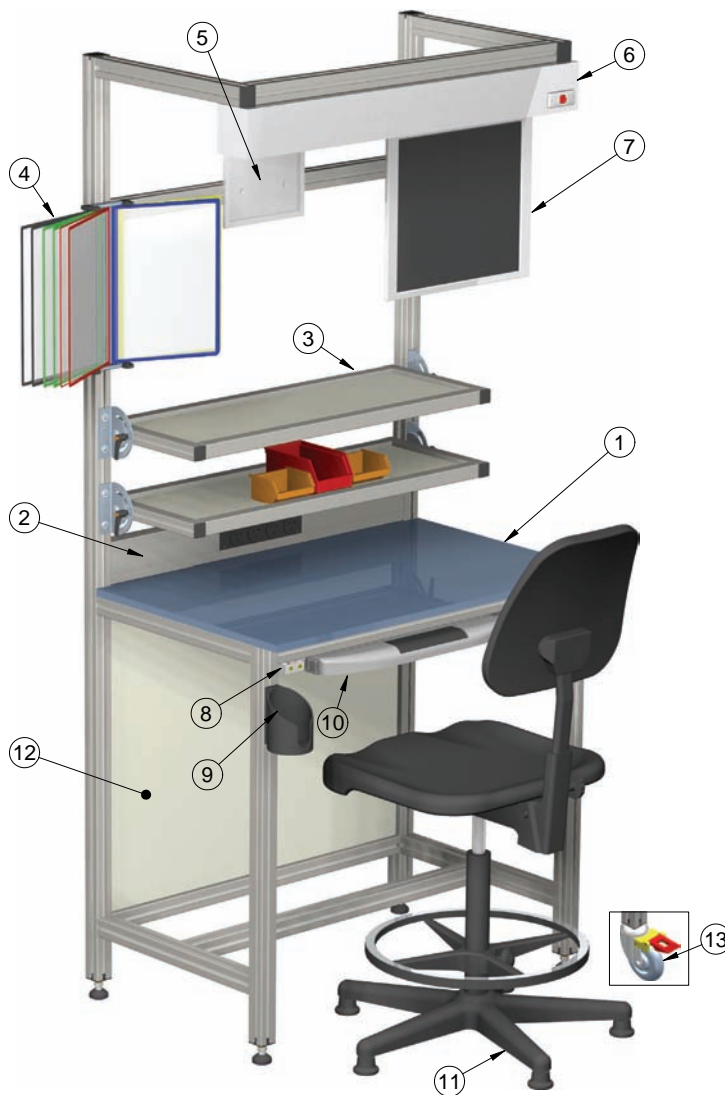
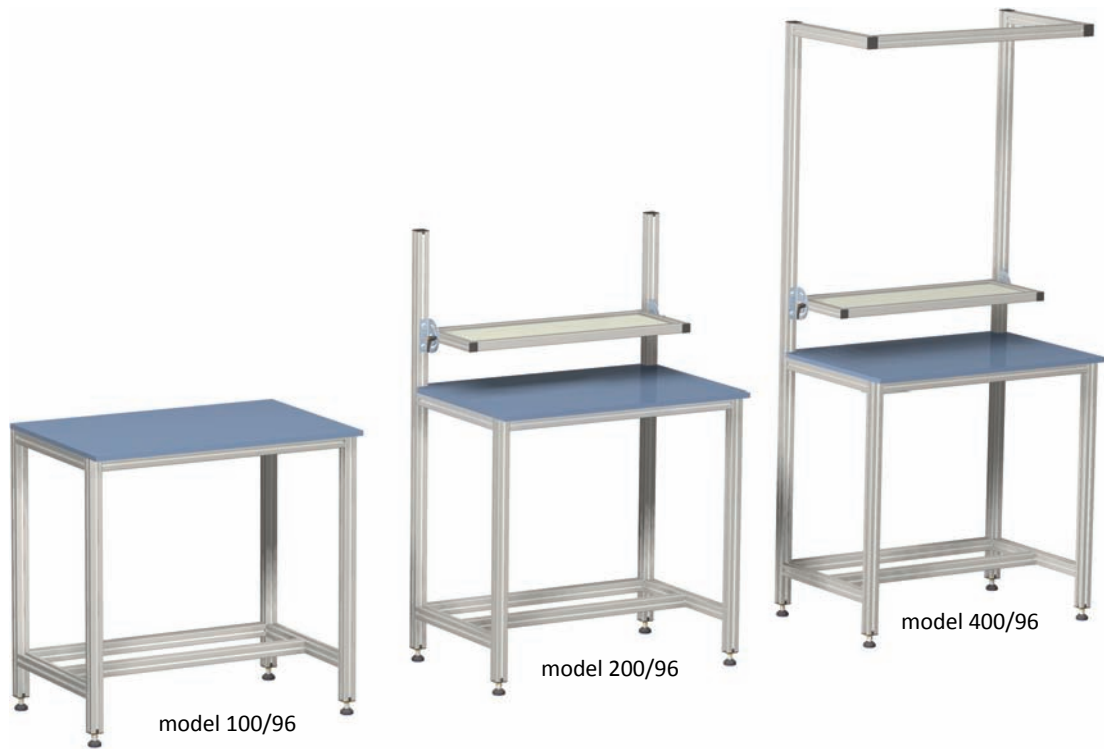


ErgoStyle 96 workstations
 benchtop size 900x600mm



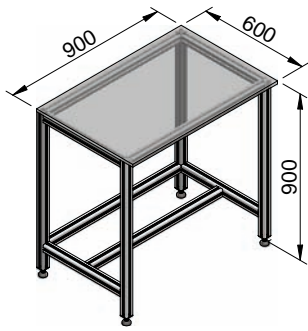
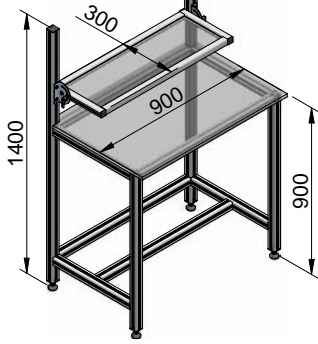
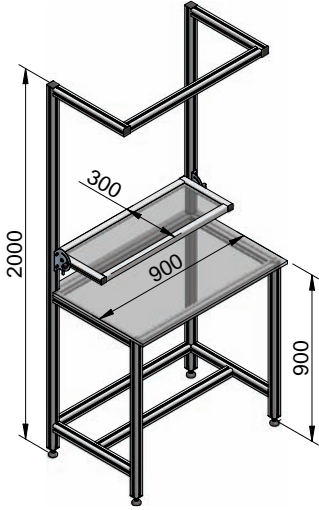
ErgoStyle 96 (900x600)

1 ErgoStyle model 400/96
 bench top size 900x600

accessories

- 2 electrical duct
- 3 storage shelf
- 4 10 pocket document holder (A4)
- 5 A4/A3 instruction card holder
- 6 overhead light unit
- 7 flat screen monitor holder
- 8 ESD bracket
- 9 bottle holder
- 10 keyboard drawer
- 11 ErgoChair
- 12 back panel
- 13 Ø100mm wheel castors

ErgoStyle 96 workstations
 benchtop size 900x600mm

| | | |
|---|---|---|
|  |  |  |
| <p>model 100/96 bench top size 900x600</p> <p>standard features: - aluminium frame - four levelling feet - bench top size: 900x600 16mm MDF melamine board, square edged - silver grey</p> | <p>model 200/96 bench top size 900x600</p> <p>standard features: - aluminium frame - four levelling feet - bench top size: 900x600 16mm MDF melamine board, square edged - silver grey - adjustable storage shelf</p> | <p>model 400/96 bench top size 900x600</p> <p>standard features: - aluminium frame - four levelling feet - bench top size: 900x600 16mm MDF melamine board, square edged - silver grey - adjustable storage shelf - overhead tool hanger bar</p> |



workstation selection

properly designed and configured workstations are an important element of a lean manufacturing system and can have an impact on reducing waste

workstations must be easy to reconfigure to handle small batch sizes when needed