

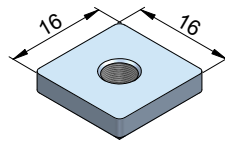
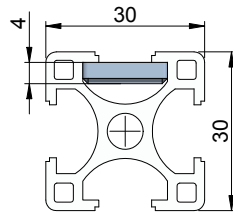
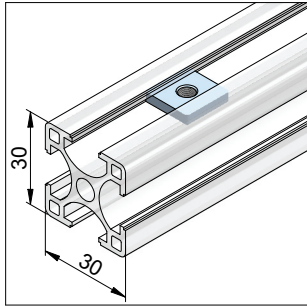
square nuts

typical application

universal fastening element for mounting of any components to profiles

particularly suitable for heavier loading capacity

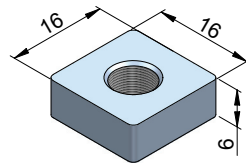
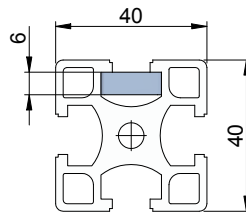
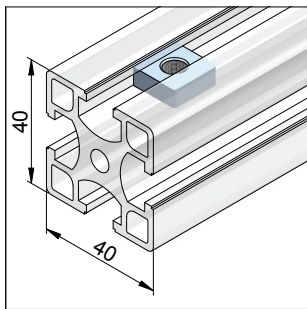
allows easy movement within the slot



16x16x4/M6 square nut
Part Number: 427.26

16x16x3/M5 square nut (3mm thick)
Part Number: 427.25

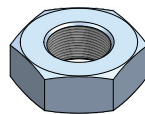
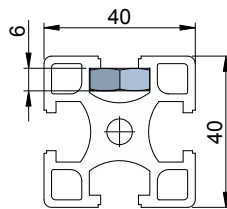
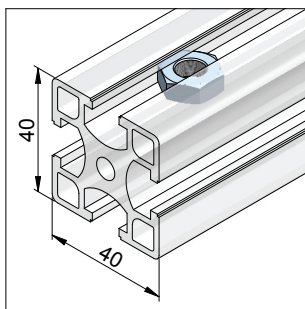
for 30 and 40 series profiles
material: mild steel, z/plated



16x16x6/M6 square nut
Part Number: 427.06

16x16x6/M8 square nut
Part Number: 427.08

used with 40 series profiles
material: mild steel, z/plated



M10 half hex nut
Part Number: 427.01

used with 40 series profiles
material: mild steel, z/plated