

wheels and castors

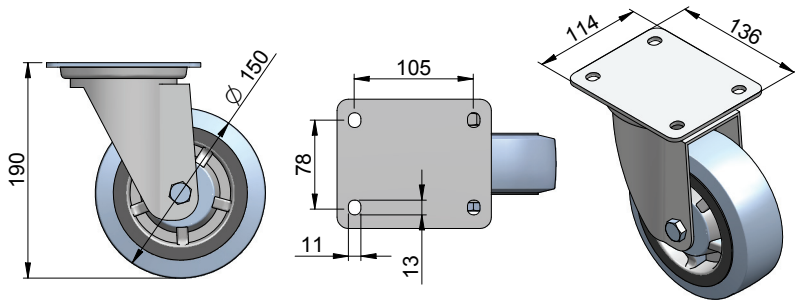


plate mount Ø150 wheel, swivel
Part Number: 470.15
470.16 with brake

load capacity: 240kg

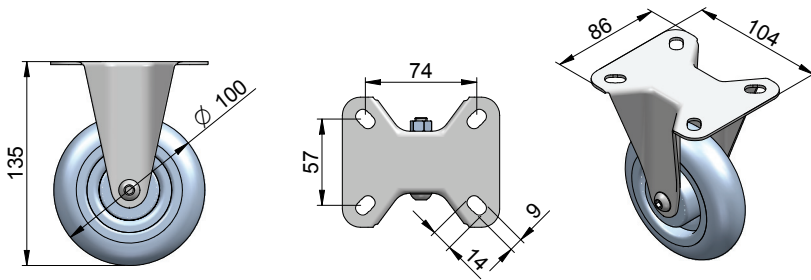


plate mount Ø100 wheel, fixed
Part Number: 470.30

load capacity: 85kg

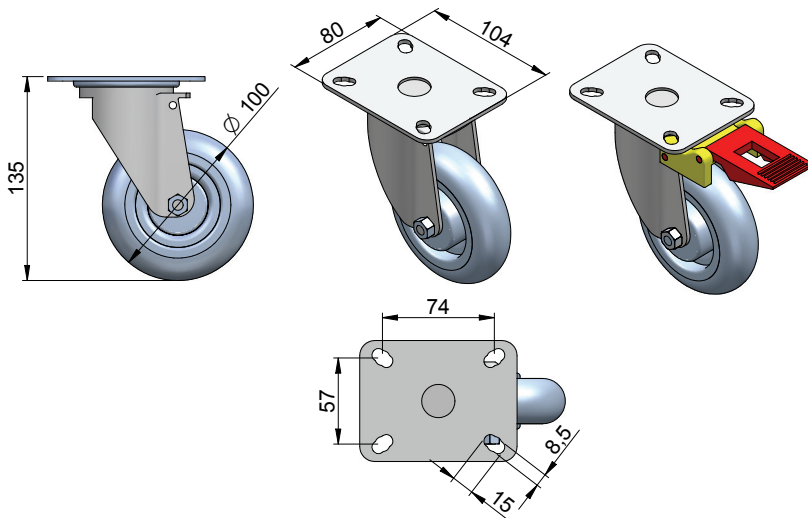
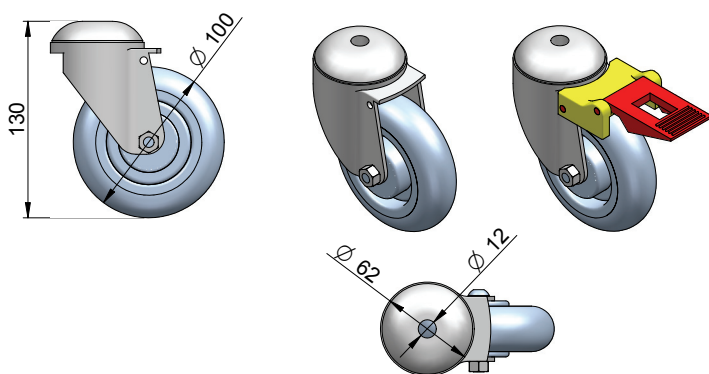


plate mount Ø100 wheel, swivel
Part Number: 470.40
470.41 with brake

load capacity: 85kg



bolt mount Ø100 wheel, swivel
Part Number: 470.50
470.51 with brake

load capacity: 65kg