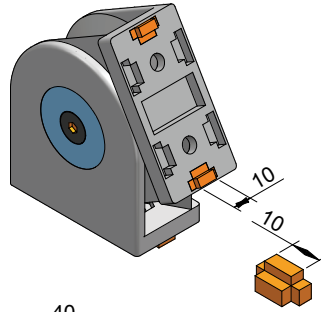
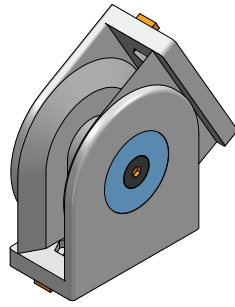
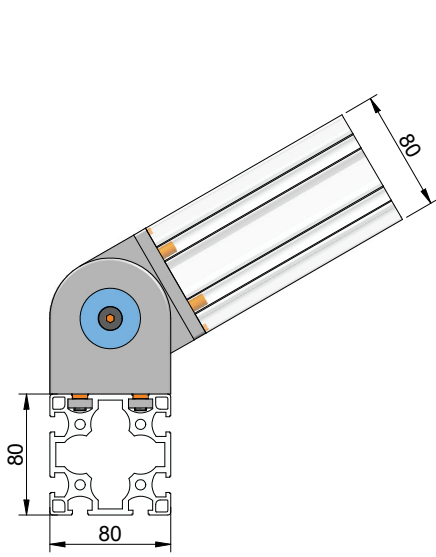


heavy duty hinge 40x80
for 40 series profiles

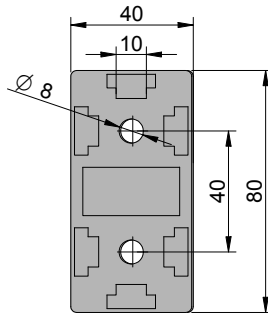
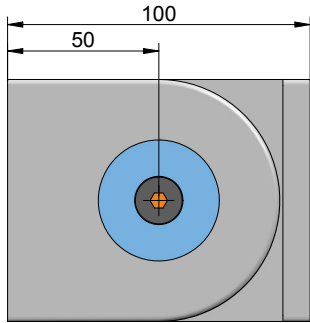


heavy duty hinge 40x80
Part Number 373.91

for connecting profiles
at various angles, suits
40 series profiles
supplied with twelve
locating blocks

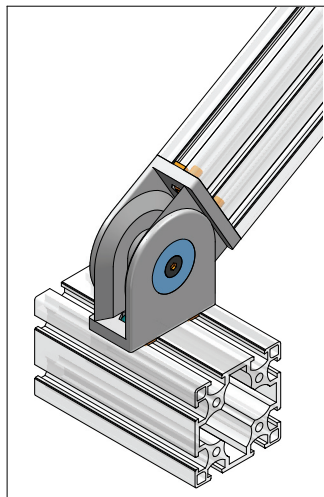
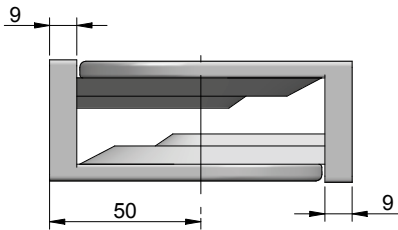
Material: Zn/cast

locating block
inserted into hinge base
according to aluminium
profile slot direction



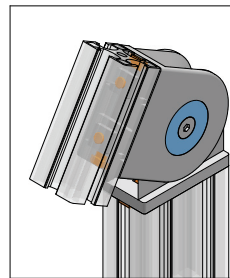
six blocks for end profile
connection

two or four blocks for
profile slot connection



1.

- possible uses:
1. 80x80 to 40x80 profile
 2. 40x80 to 40x40 profile



2.