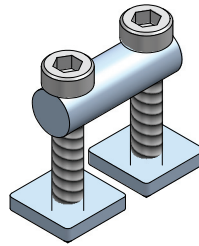
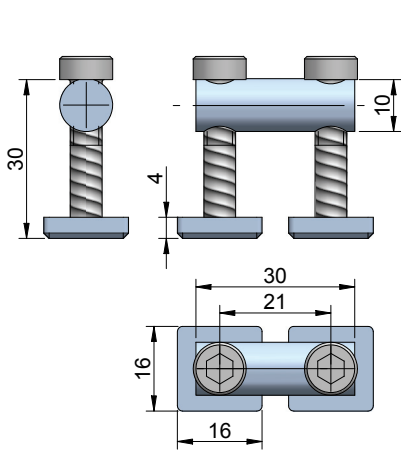
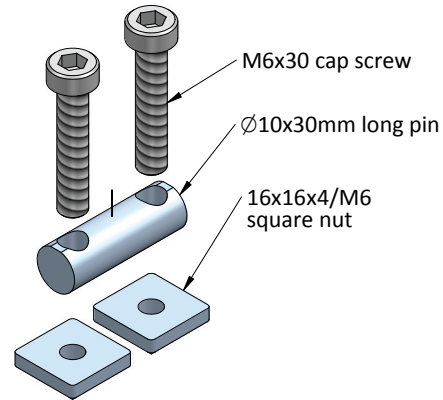


bolt connector 30
for 30 series profiles (30x30 & 30x60)



bolt connector 30
Part Number: 056.01

consisting of:
one 10mm pin, 30mm long
two M6x30 cap screws
two 16x16x4/M6 sq nuts



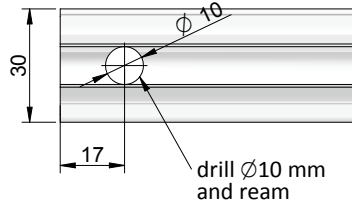
application

used in 30x30 and 30x60 profiles

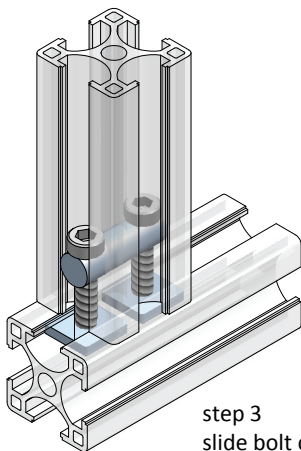
this type of connection applies for profiles which need to be moved subsequently.

recommended type of connection for addition into existing frames.

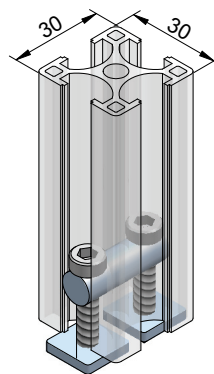
bolt connector 30
drilling diagram



step 1
drill 10mm hole
17mm from end
and ream



step 3
slide bolt connector 30 into other profile, position in location and tighten firmly with 5mm allen key



step 2
assembly pin with bolts and square nuts as shown