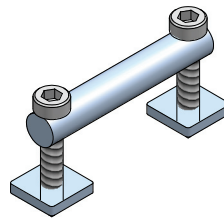
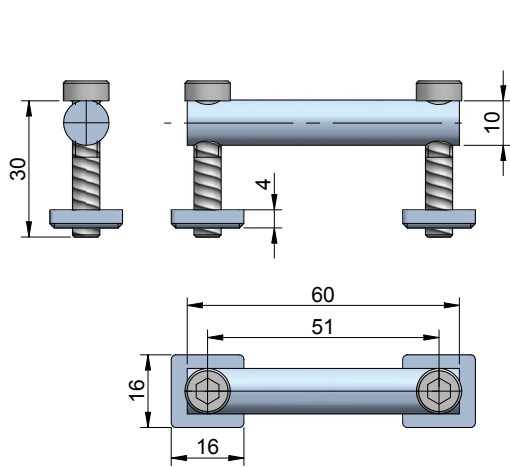
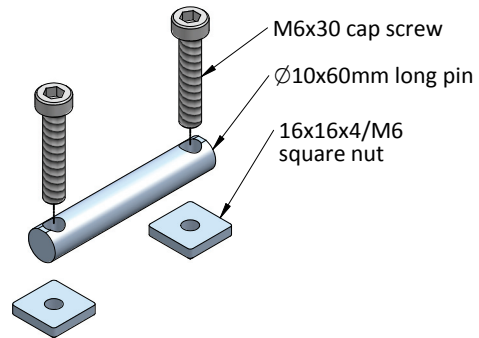


**bolt connector 60**  
for 30 series profiles (30x60 & 60x60)



**bolt connector 60**  
**Part Number: 056.06**

consisting of:  
one 10mm pin, 60mm long  
two M6x30 cap screws  
two 16x16x4/M6 sq nuts



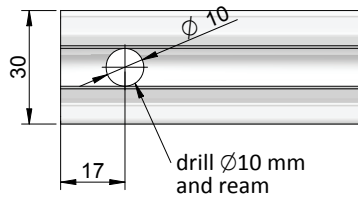
**application**

used in 30x60 and 60x60 profiles

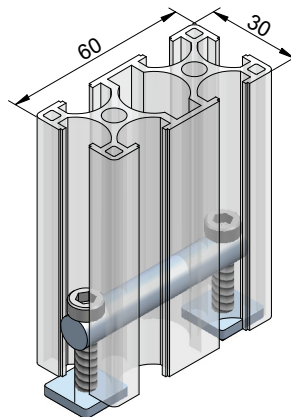
this type of connection applies for profiles which need to be moved subsequently.

recommended type of connection for addition into existing frames.

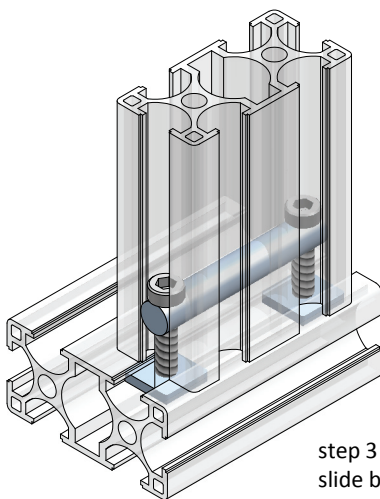
**bolt connector 60**  
**drilling diagram**



step 1  
drill 10mm hole  
17mm from end  
and ream



step 2  
assembly pin with bolts and  
square nuts as shown



step 3  
slide bolt connector 60 into other  
profile, position in location and  
tighten firmly with 5mm allen key