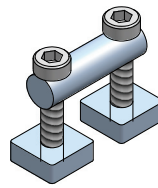
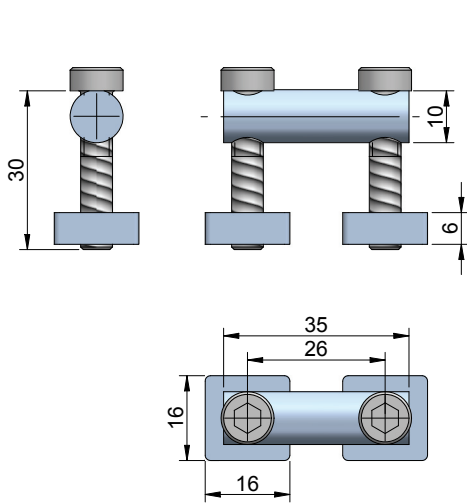
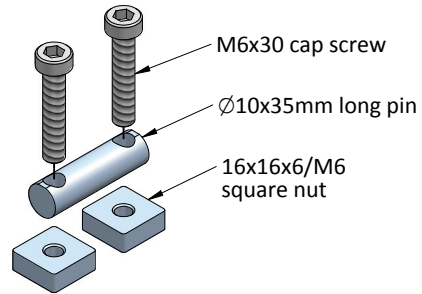


bolt connector 40
for 40 series profiles (40x40 and 40x80)



bolt connector 40
Part Number: 056.02

consisting of:
one 10mm pin, 35mm long
two M6x30 cap screws
two 16x16x6/M6 sq nuts



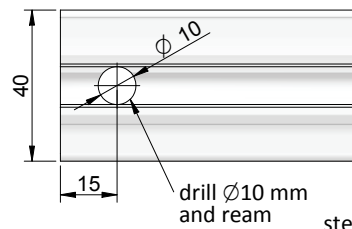
application

used in 40x40 and 40x80 profiles

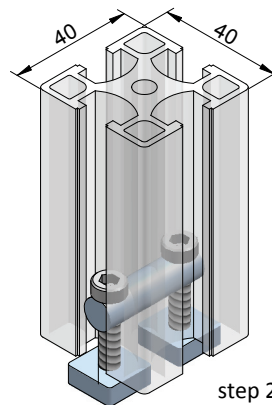
this type of connection applies for profiles which need to be moved subsequently.

recommended type of connection for addition into existing frames.

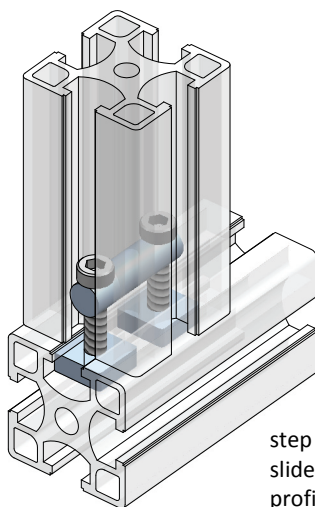
bolt connector 40
drilling diagram



step 1
drill 10mm hole
15mm from end
and ream



step 2
assembly pin with bolts
and square nuts as shown



step 3
slide bolt connector 40 into other
profile, position in location and
tighten firmly with 5mm allen key