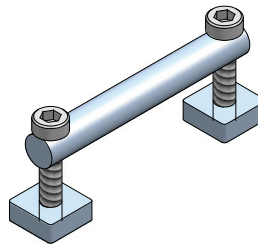
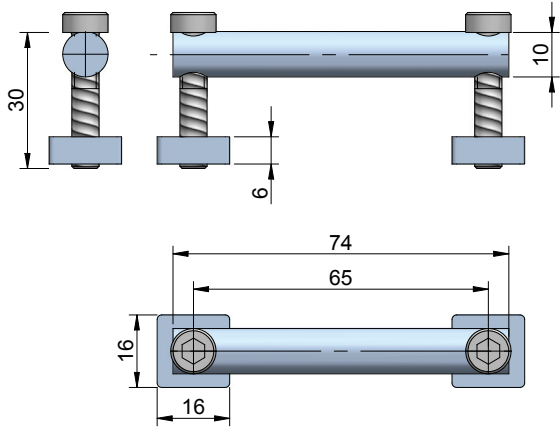
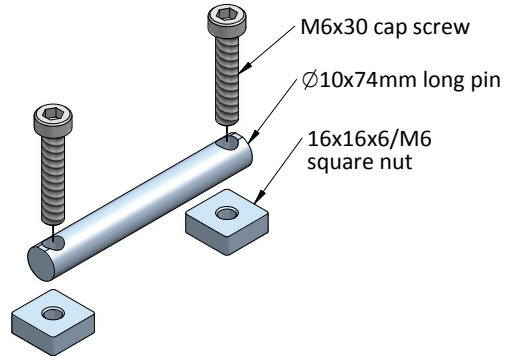


bolt connector 80  
for 40 series profiles (40x80 & 80x80)



**bolt connector 80**  
**Part Number: 056.03**

consisting of:  
one 10mm pin, 74mm long  
two M6x30 cap screws  
two 16x16x6/M6 sq nuts



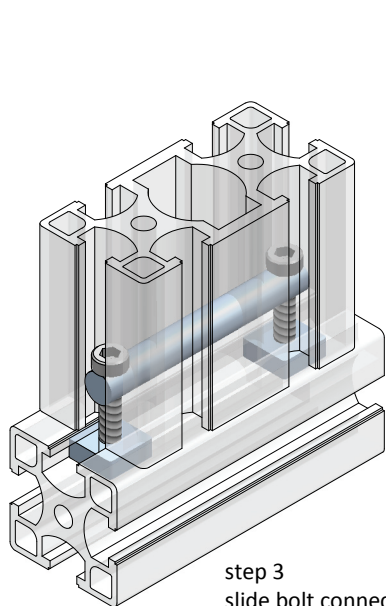
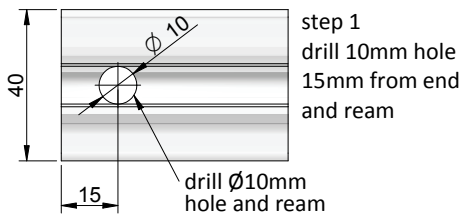
**application**

used in 40x80 and 80x80 profiles

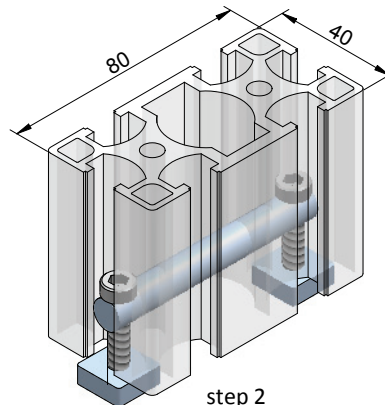
this type of connection applies for profiles which need to be moved subsequently.

recommended type of connection for addition into existing frames.

**bolt connector 80**  
**drilling diagram**



**step 3**  
slide bolt connector 80 into other profile, position in location and tighten firmly with 5mm allen key



**step 2**  
assembly pin with bolts and square nuts as shown