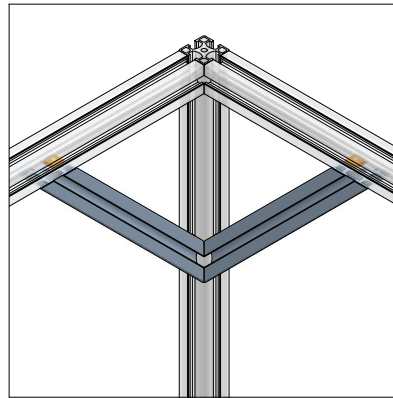
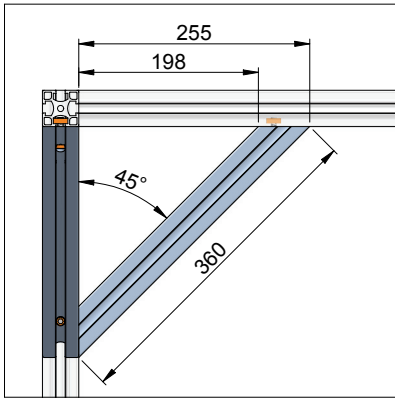


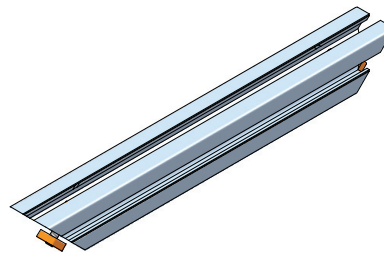
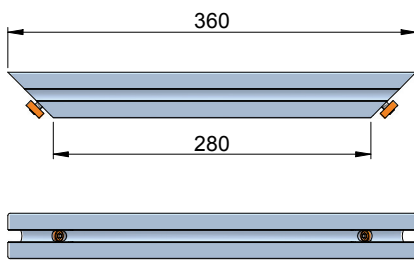
bracing element for 40 series profiles
foundation bracket



typical application

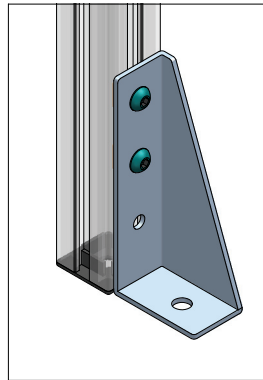
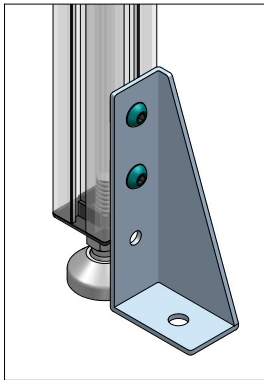
simple and fast way of reducing profiles bending or sagging under heavier vertical loads

reduces frames buckling and stabilizes the frame structure.



bracing element 40x40 360mm
Part Number: 562.30

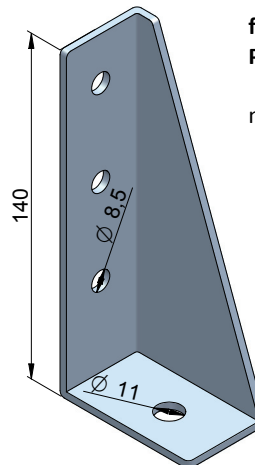
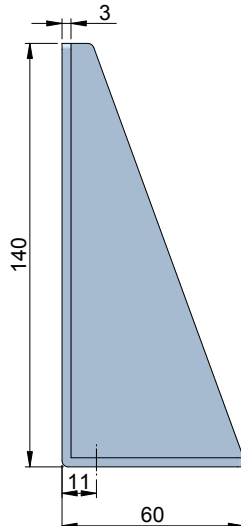
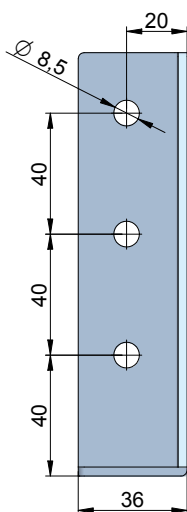
used only with 40 series profiles
material: 40x40 profile
(complete with bolt and square nut)



typical application

for floor or wall fastening in various positions

suitable for 30 and 40 series profiles



foundation bracket
Part Number: 560.10

material: mild steel, z/plated