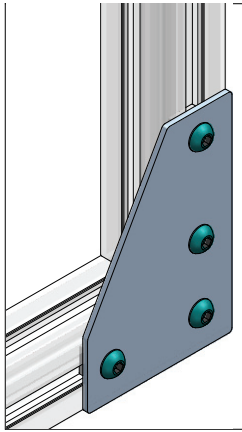


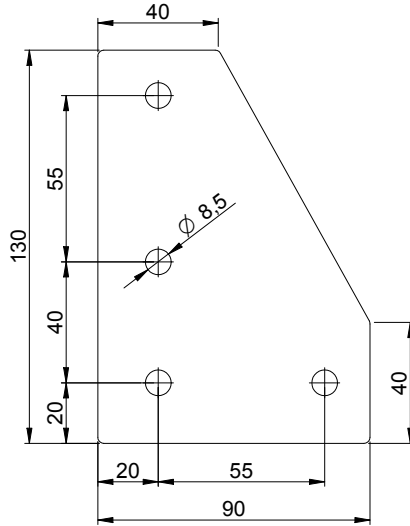
bracing plates  
for 40 series profiles

typical application

used with bracket connector when  
additional joint strength is required

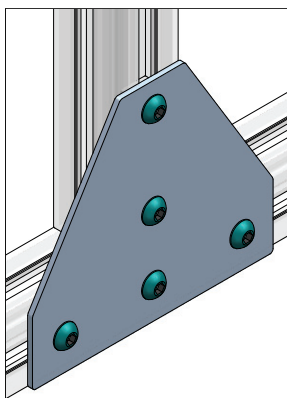


L - type bracing plate

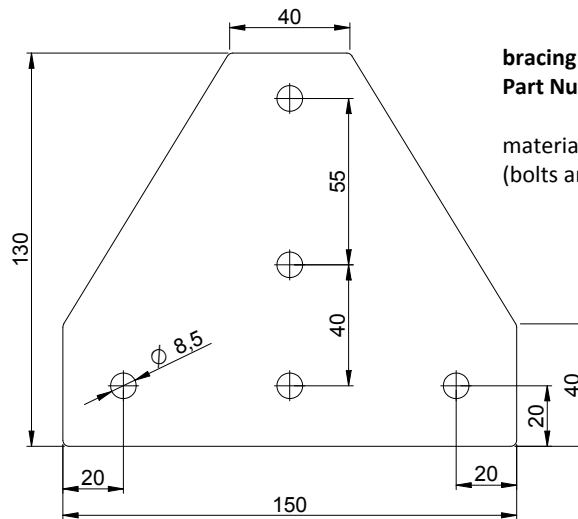


**bracing plate - L type**  
**Part Number: 562.24**

material: 3mm mild steel, z/plated  
(bolts and square nuts not included)



T - type bracing plate



**bracing plate - T type**  
**Part Number: 562.26**

material: 3mm mild steel, z/plated  
(bolts and square nuts not included)