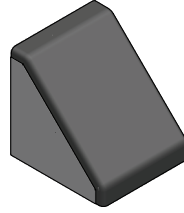
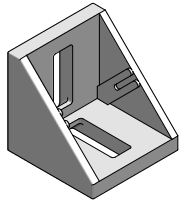
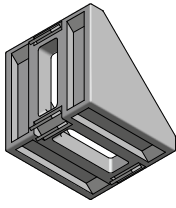


corner brackets
for 40 series profiles

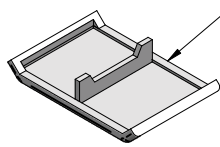
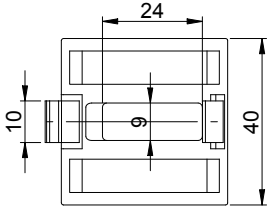


40x40 corner bracket
Part Number: 562.44

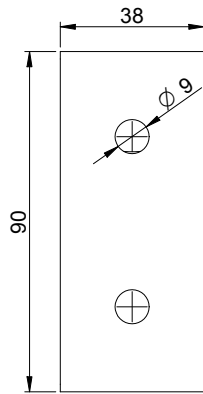
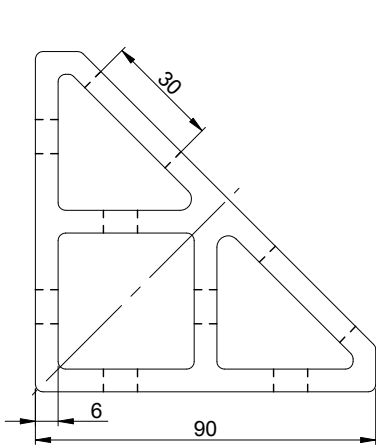
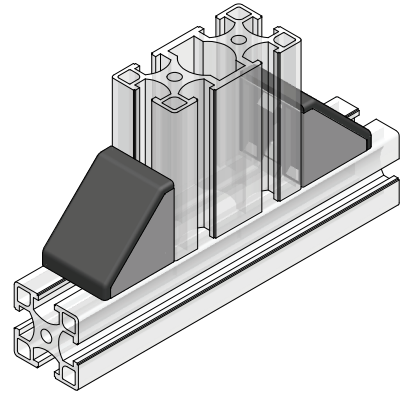
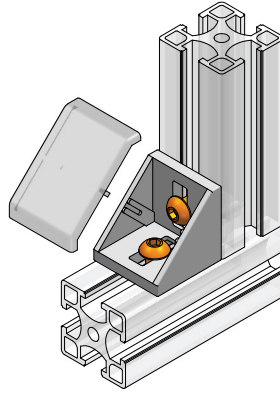
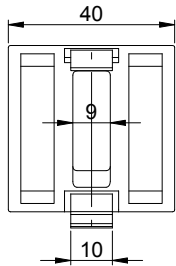
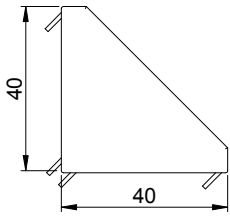
used with 40 series profiles
material: die cast aluminium

30x30 corner bracket
Part Number: 562.33

used with 30 series profiles
material: die cast aluminium



40x40 corner bracket
endcap



90x90 corner bracket
Part Number: 562.99

used with 40 series profiles
material: aluminium

