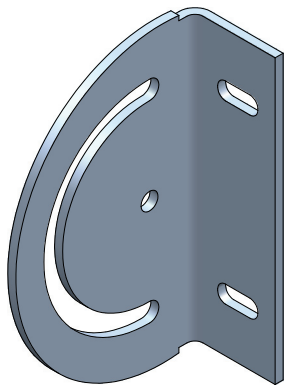
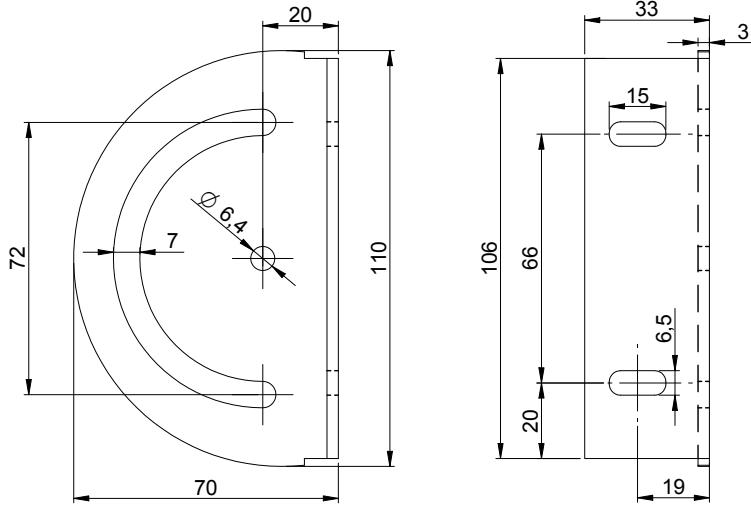


tilt bracket
for 30 and 40 series profiles

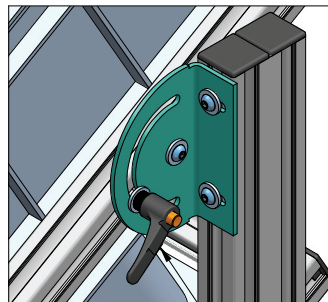
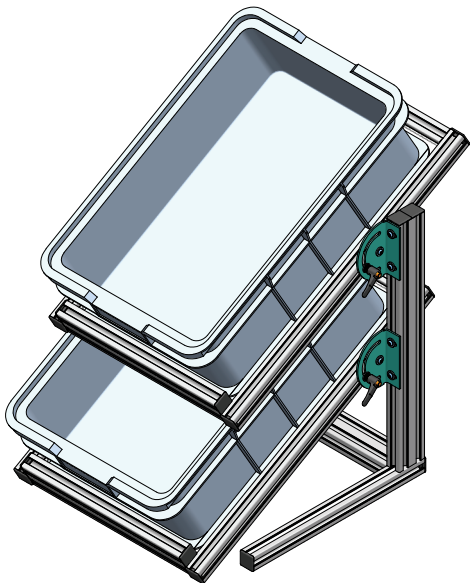


tilt bracket
Part Number: 562.35

material: 3mm mild steel, z/plated
(bolts, square nuts and adjustable
handle are not included)

typical application

use for adjusting angle in shelves or
just pivoting two aluminium profiles
where quick and easy adjustment is
required.



adjustable handle
p/n 380.73, M6x16