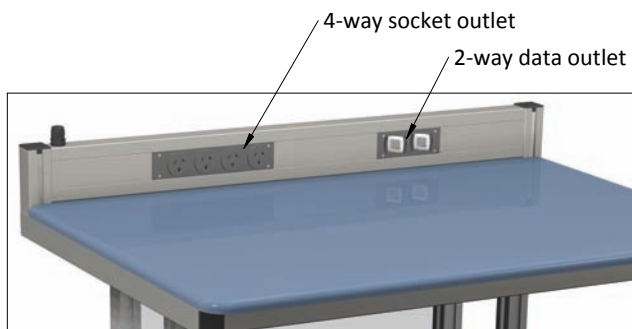
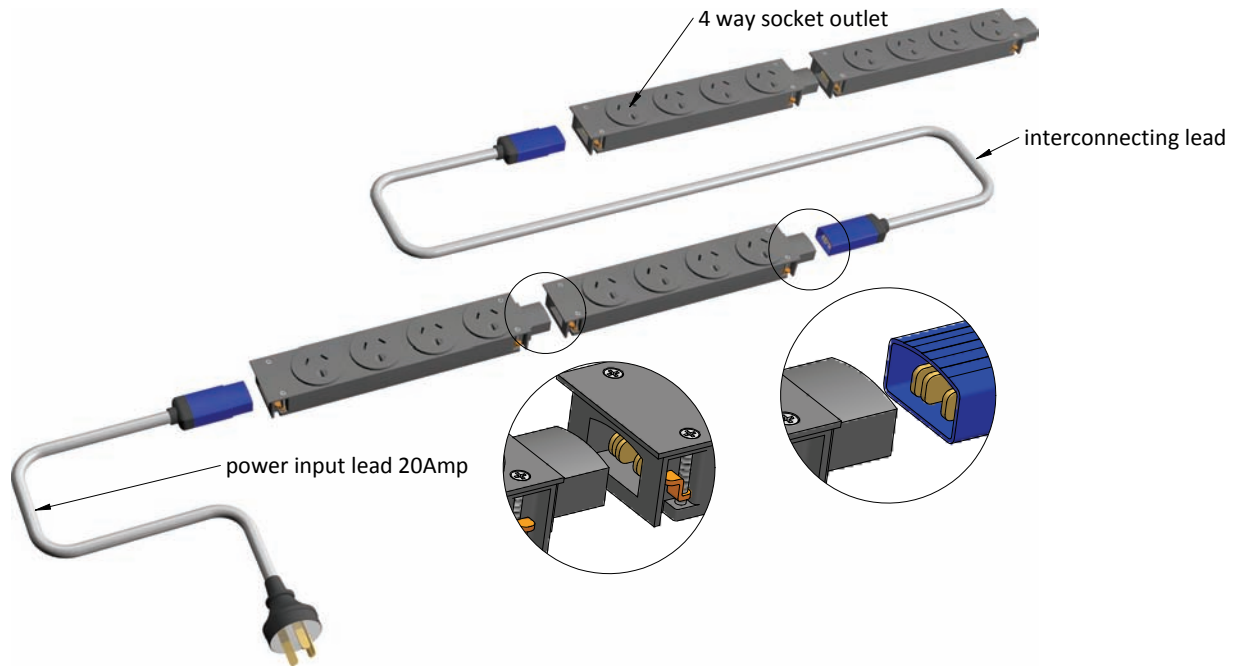


modular soft wire system
for efficient power management applications



typical application

used for workstations power distribution
suitable for horizontal and vertical
installations

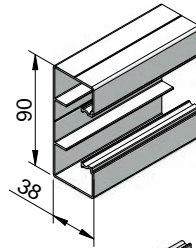
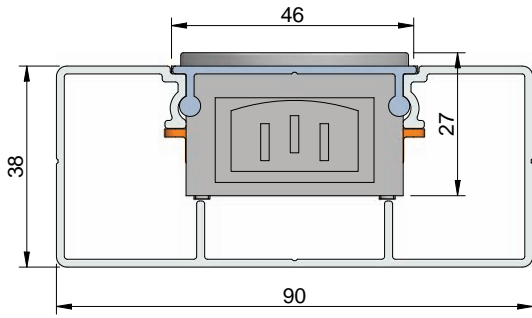
- self switching, double pole, 20amp rating
- total modularity, expandable system
- safe interlocking systems
- DIY installation, user friendly
- complies with AS/NZ 61535.1



4-way socket outlet

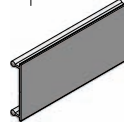
2-way data outlet

modular soft wire system
for efficient power management applications



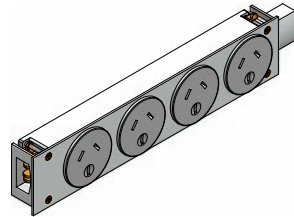
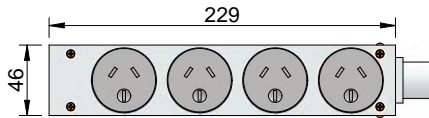
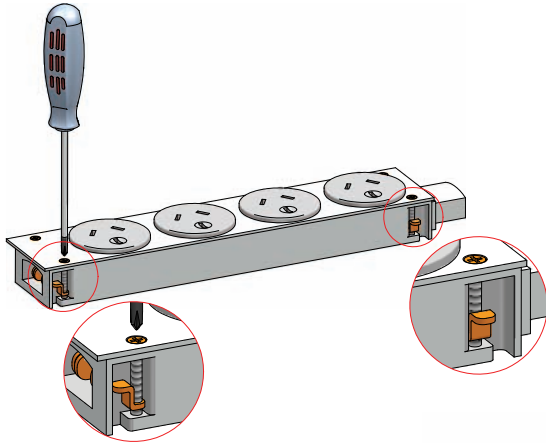
electrical duct
Part Number: 452.20

Material: anodised aluminium
max. length: 6000mm
weight = 1.03kg/m

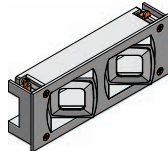
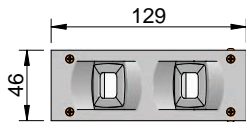


electrical duct cover
Part Number: 452.21

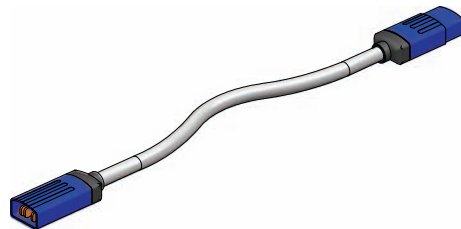
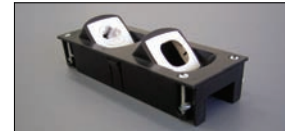
Material: anodised aluminium
max. length: 3000mm
weight = 0.28kg/m



4-way socket outlet
Part Number: 312.80



2-way data module
Part Number: 312.82

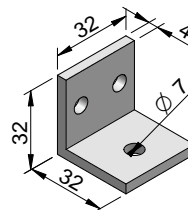


interconnecting lead
Part Number: 312.05 500mm
312.10 1000mm
312.15 1500mm
312.20 2000mm



16mm cable gland
Part Number: 321.42

Material: black plastic



electrical duct mounting angle
Part Number: 312.32

Material: aluminium