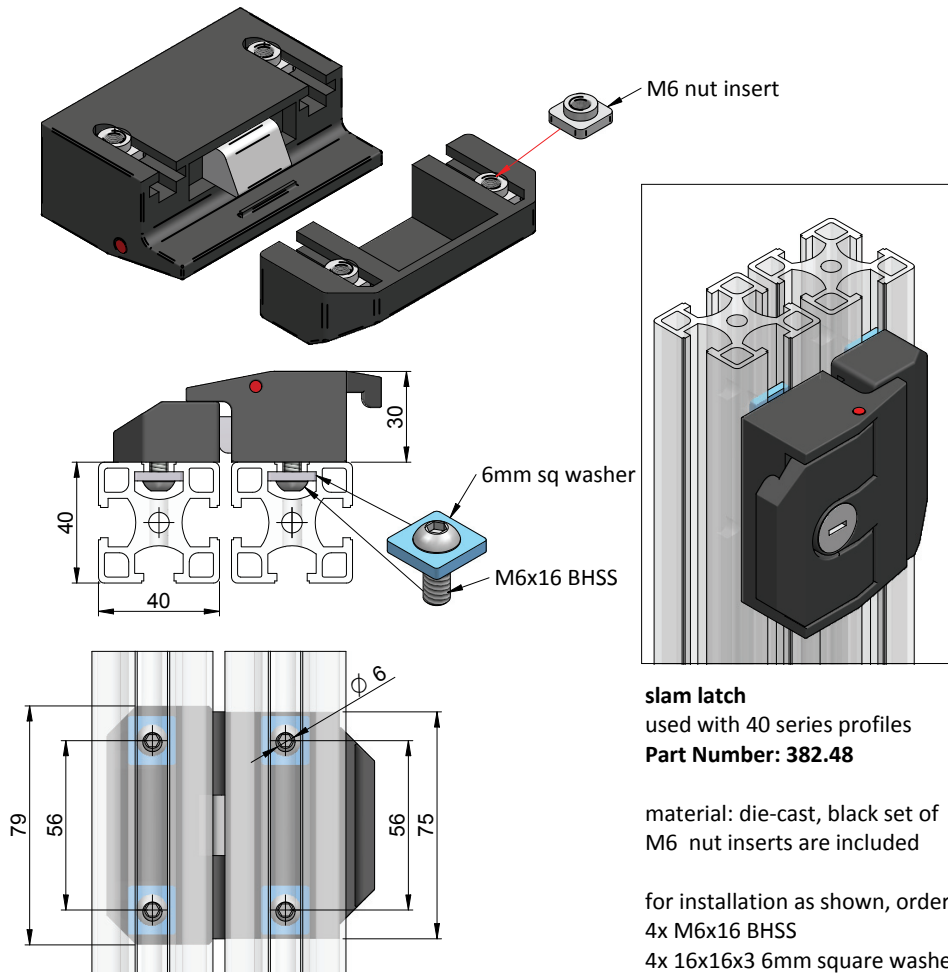
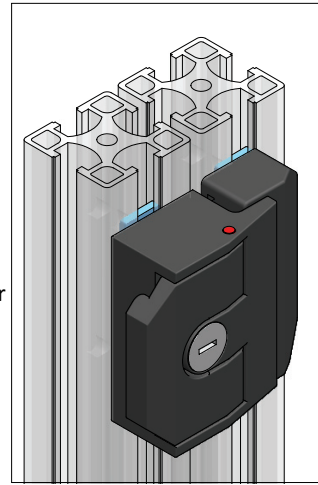


slam latch 40 series profiles
door lock 30 series profiles



drill access holes at 56mm pitch
as shown for slam latch installation



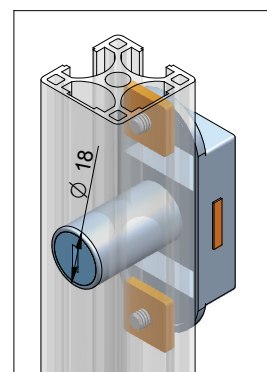
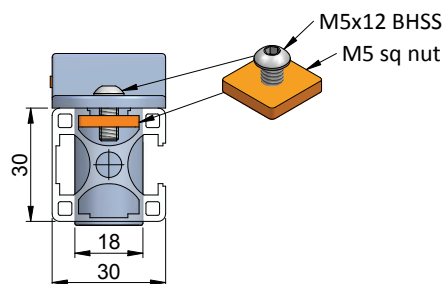
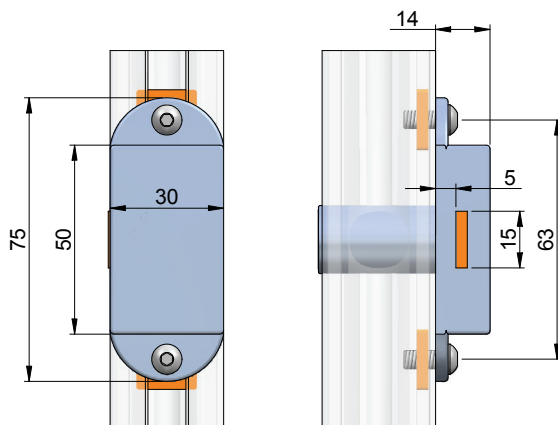
application
for locking and securing
hinged doors, can be
used for left-hand or
right-hand installation

suitable for machine
enclosures, fencing or
cabinet doors

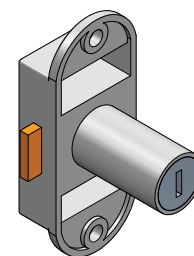
slam latch
used with 40 series profiles
Part Number: 382.48

material: die-cast, black set of
M6 nut inserts are included

for installation as shown, order:
4x M6x16 BHSS
4x 16x16x3 6mm square washers



application
for locking and securing
light duty hinged doors on
computer enclosures or
small cabinets



door lock
used with 30 series profiles
Part Number: 382.58

material: die-cast, chrome plated
M5x12 BHSS and sq nuts are
included