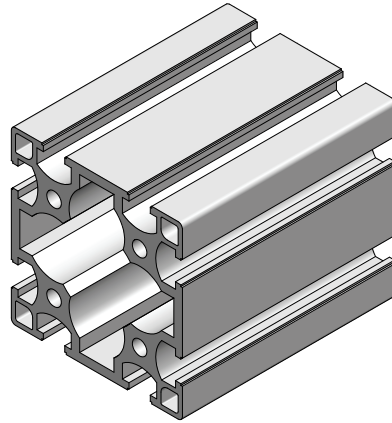
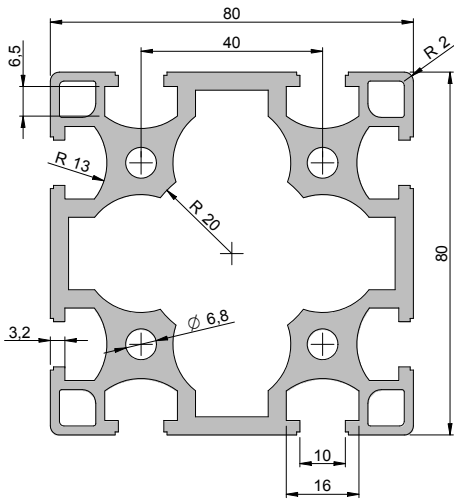
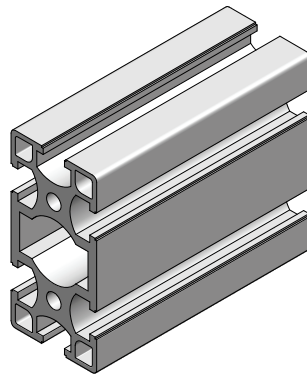
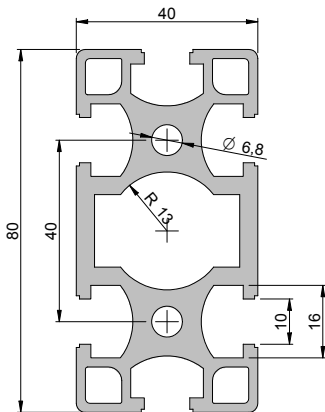


40 series profiles
overview



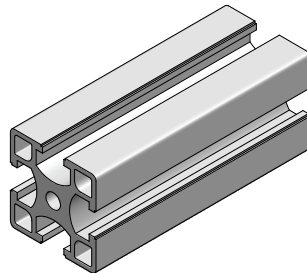
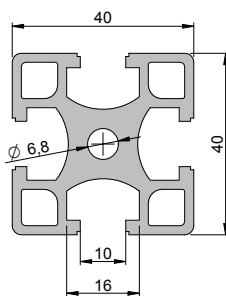
80x80 profile
Part Number: 265.80

$I_{xy} = 125.49 \text{ cm}^4$
 $W_{xy} = 31.37 \text{ cm}^3$
 $A = 18.45 \text{ cm}^2$
weight = 5.00 kg/m
max. length: 6000 mm



40x80 profile
Part Number: 026.34

$I_x = 63.45 \text{ cm}^4$
 $I_y = 17.94 \text{ cm}^4$
 $W_x = 15.86 \text{ cm}^3$
 $W_y = 8.97 \text{ cm}^3$
 $A = 11.37 \text{ cm}^2$
weight = 3.07 kg/m
max. length: 6000 mm



40x40 profile
Part Number: 026.33

$I_{xy} = 8.16 \text{ cm}^4$
 $W_{xy} = 4.08 \text{ cm}^3$
 $A = 5.84 \text{ cm}^2$
weight = 1.58 kg/m
max. length: 6000 mm

