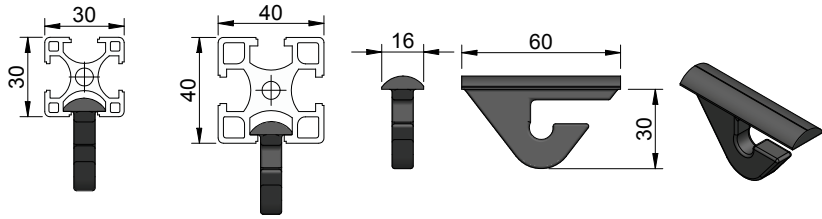
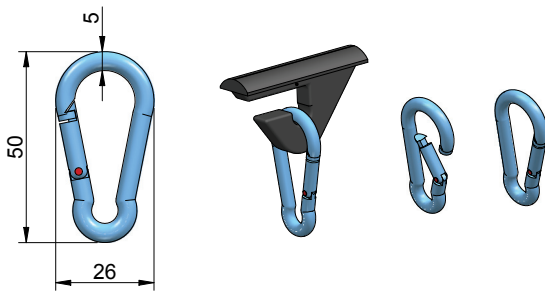


ErgoStyle/ErgoMan workstations
accessories overview



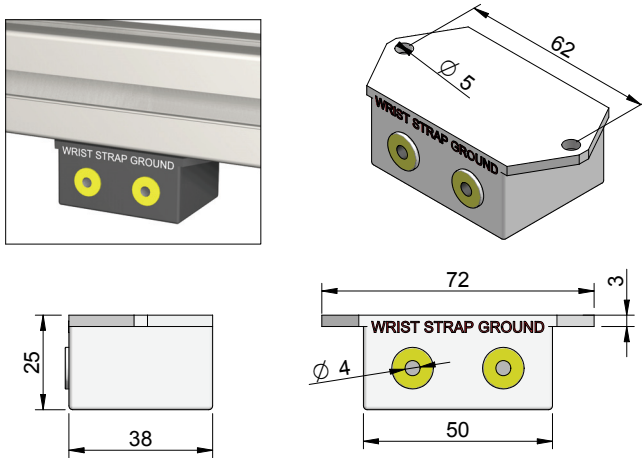
tool hanger
Part Number: 386.12

PA black
Axial load max. 12kg



snap hook
Part Number: 386.14

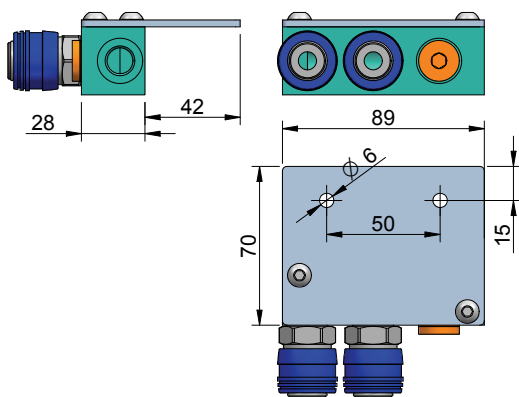
material: \varnothing 5mm MS
z/plated



ESD bracket
Part Number: 408.16

encapsulated black casing with
built-in 1Mohm resistor suited for
4mm banana sockets.

bracket with 3m of grounding
wire for attaching to facility
ground or common power outlet



pneumatic manifold
Part Number: 386.30

max. three power tools
can be connected to manifold

