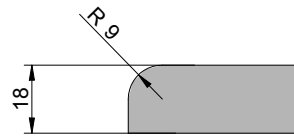
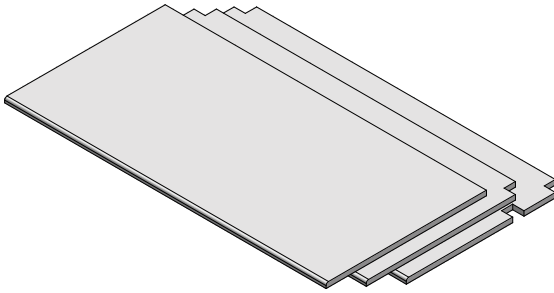


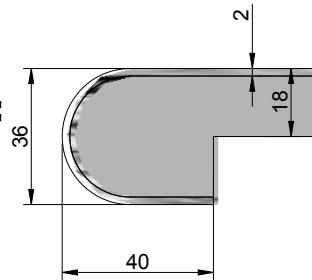
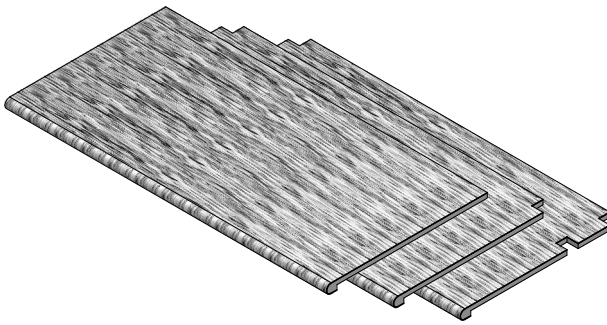
**laminated bench top**

made from 16mm MDF  
covered with 0.8mm  
lamine square edged  
colour: silver grey



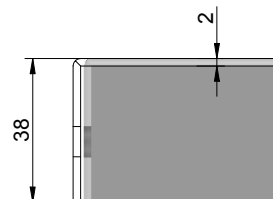
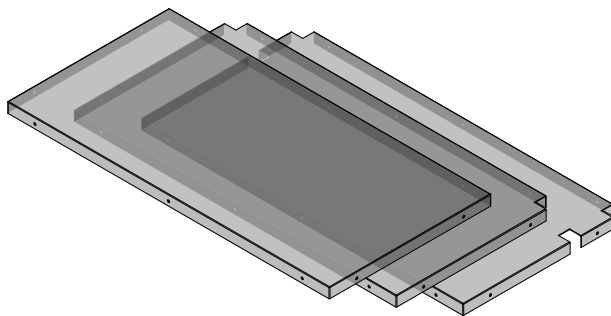
**vinyl wrap bench top**

made from 18mm MDF  
vinyl wrapped with a radius  
on the front edge  
colour: shadow grey



**vinyl bench top**

made from 16mm MDF  
covered with heavy duty,  
hard wearing 2mm thick vinyl  
colour: light grey



**stainless steel bench top**

made from 2mm thick,  
302 grade stainless steel,  
corners welded