

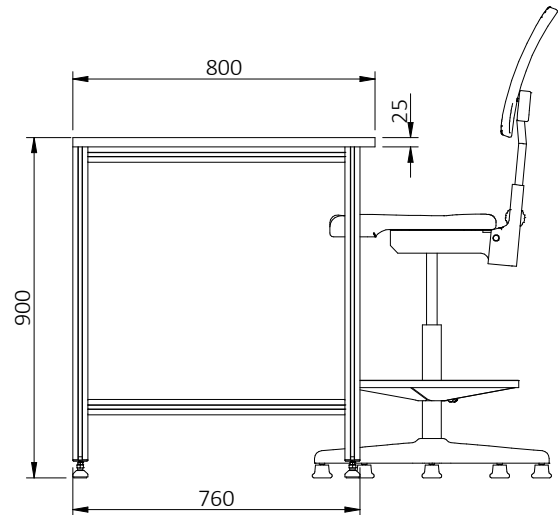
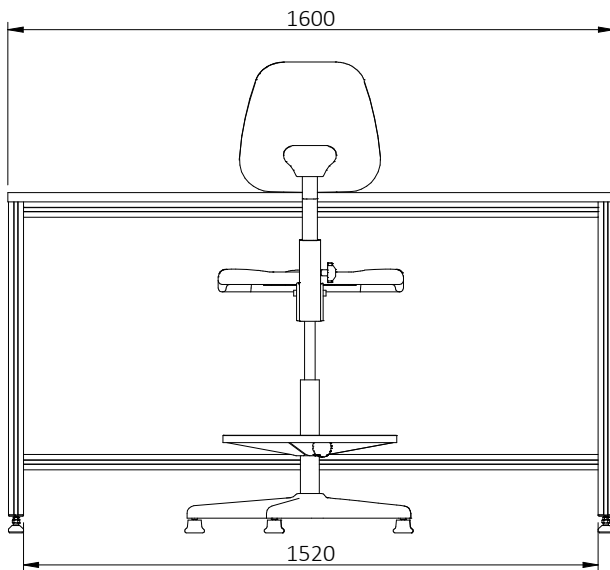
ErgoStyle workstations
series 168
bench top size 1600x800



model 100/168
page 2

model 200/168
page 3

model 400/168
page 4



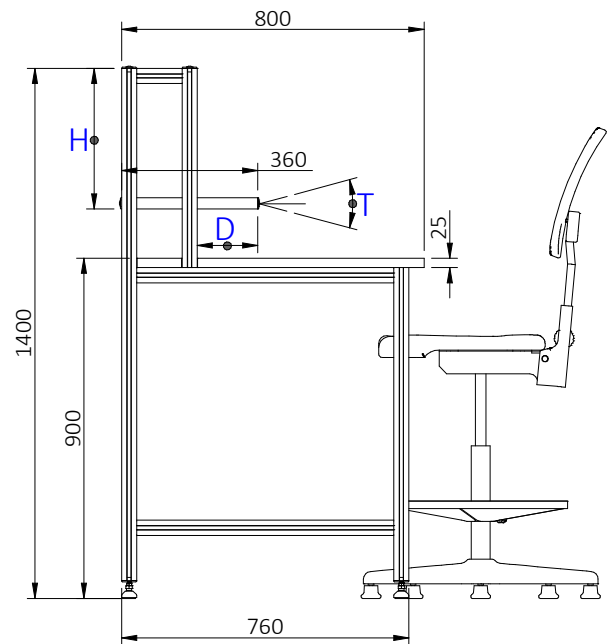
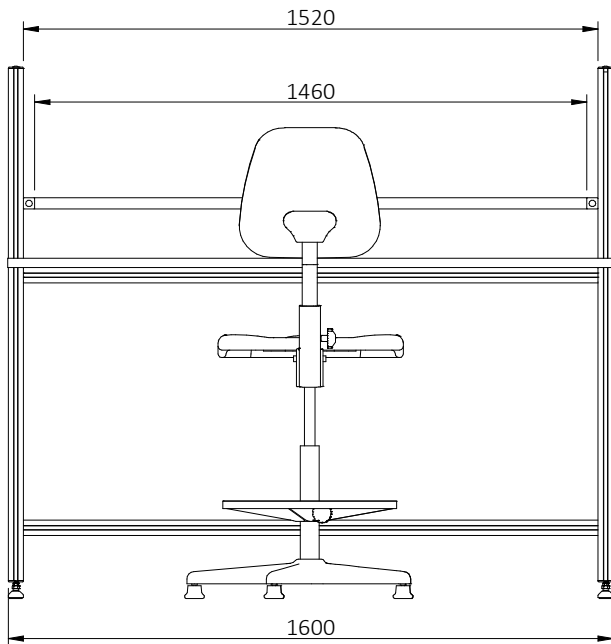
ErgoStyle series model 100/168

Part Number: ES-100-168

standard features:

1. bench top 1600x800x25mm, white, prelaminated board with 2mm ABS edging
2. natural anodised aluminium frame
3. standard foot bar
4. four levelling feet

weight: 43.3kg



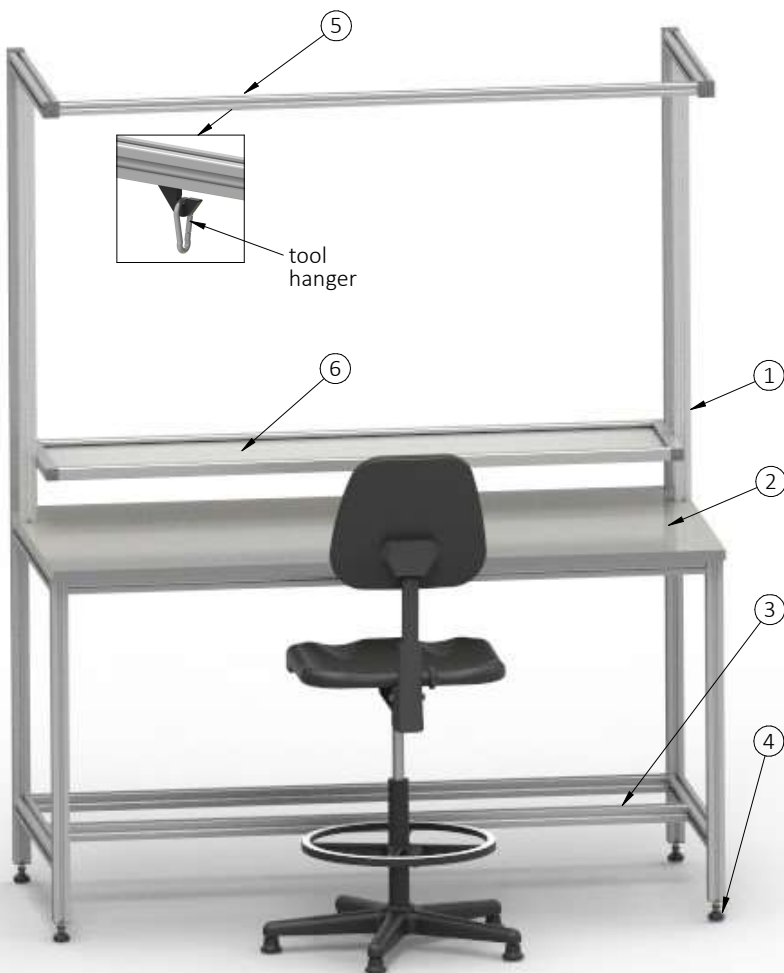
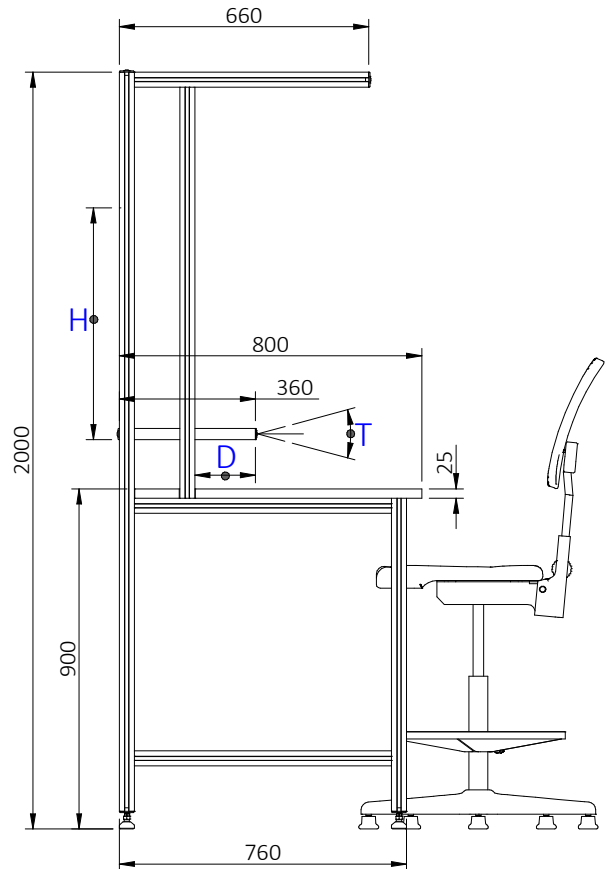
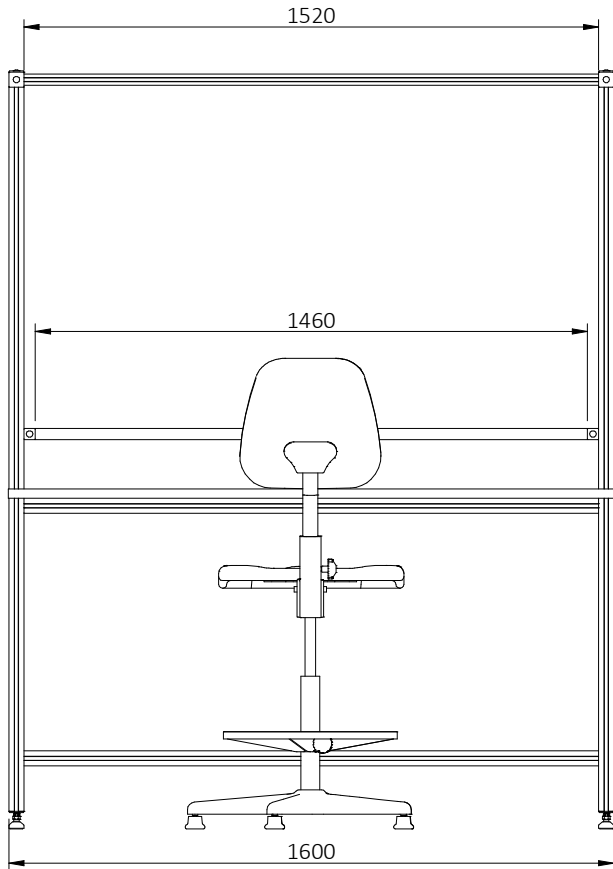
ErgoStyle series model 200/168

Part Number: ES-200-168

standard features:

1. natural anodized aluminium frame
T slotted profiles 6060-T5
2. bench top 1600x800x25mm white,
prelaminated board with 2mm ABS edging
3. standard foot bar
4. four levelling feet
5. shelf - $T \pm 15^\circ$ $H: 380\text{mm}$ $D: 160\text{mm}$
1460x300mm inside dim., max. 70kg
Max. load capacity: 120kg

weight: 52.6kg



ErgoStyle series model 400/168

Part Number: ES-400-168

standard features:

1. natural anodized aluminium frame
T slotted profiles 6060-T5
2. bench top 1600x800x25mm white,
prelaminated board with 2mm ABS edging
3. standard foot bar
4. four levelling feet
5. tool hanger bar with tool hanger
6. shelf - $T \pm 15^\circ$ H : 780mm D : 160mm
1460x300mm inside dim., max. 60kg
Max. load capacity: 120kg

weight: 59.2kg