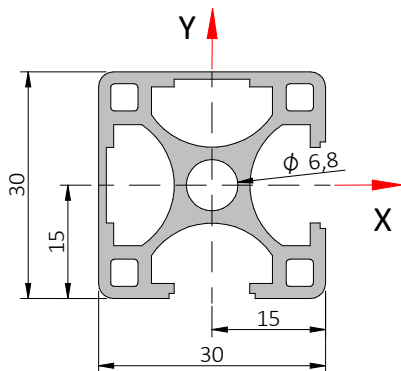
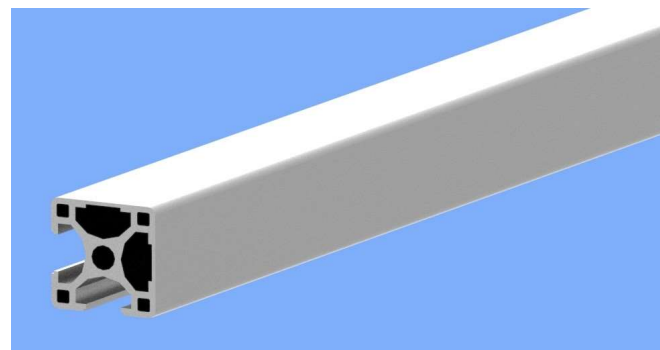


T-slot profiles - 30 series 30x30/90 profile



Profile 30x30/90
 part number: AL-3030-90
 Alloy: 6106-T6
 Finish: natural anodized



$I_{xy} = 2.69\text{cm}^4$
 $W_{xy} = 1.79\text{ cm}^3$
 $A = 3.12\text{cm}^2$
 $M = 0.84\text{kg/m}$
 Max. length: 6000mm

machining services

	cut to size	CTS-30
	cut α max. 45°	CTS-30 α
	cut α and β max. 45°	CTS-30 $\alpha\beta$
	tap one end M8	TOE-30
	tap both ends M8	TBE-30
	drill $\varnothing 8\text{mm}$ hole	DR-B30