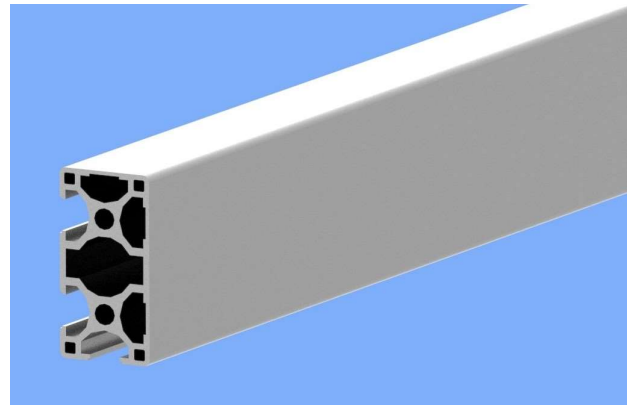
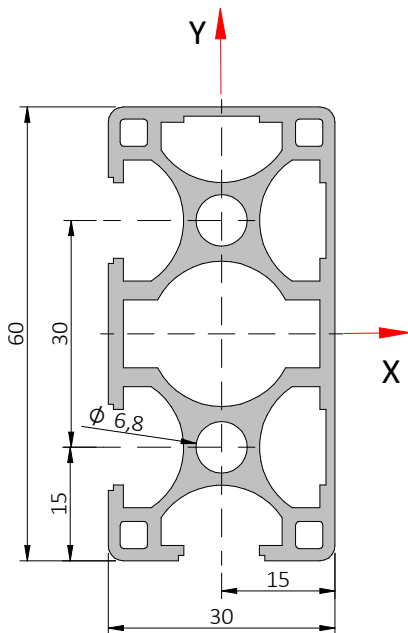





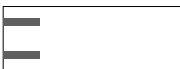



T-slot profiles - 30 series
 30x60/90 profile



$I_y = 20.44\text{cm}^4$
 $I_x = 5.53\text{cm}^4$
 $W_y = 6.81\text{cm}^3$
 $W_x = 3.68\text{cm}^3$
 $A = 5.63\text{cm}^2$
 $M = 1.52\text{kg/m}$
 Max. length: 6000mm

Profile 30x60/90
part number: AL-3060-90
 Alloy: 6106-T6
 Finish: natural anodized

machining services

	cut to size	CTS-60
	cut α max. 45°	CTS-60 α
	cut α and β max. 45°	CTS-60 $\alpha\beta$
	tap one end 2xM8	TOE-3060
	tap both ends 4xM8	TBE-3060
	drill $\varnothing 8\text{mm}$ hole 30 side	DR-B30
	drill $\varnothing 8\text{mm}$ hole 60 side	DH-B60