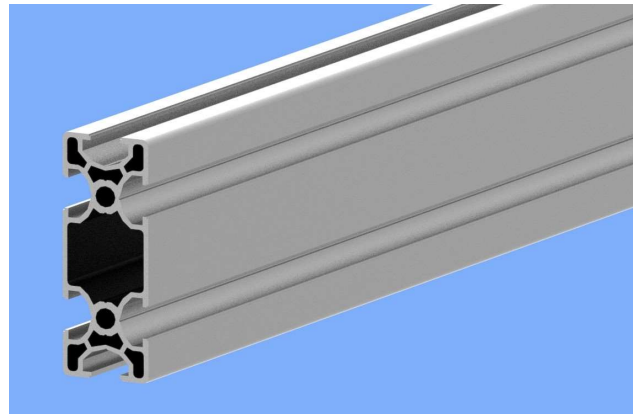
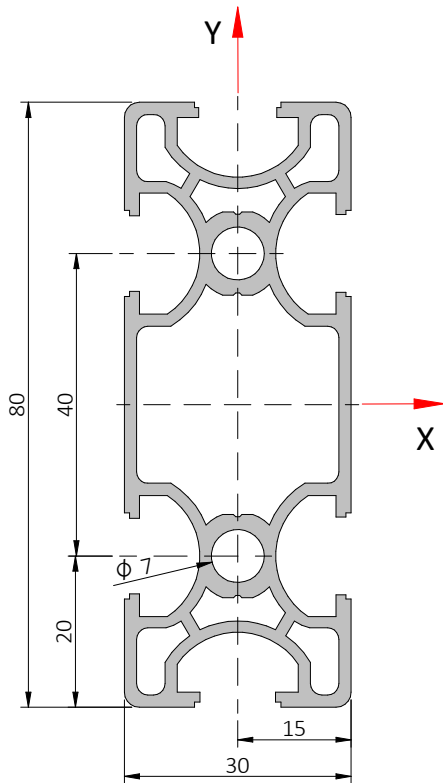







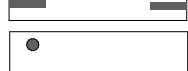
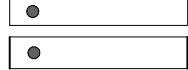

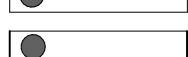
T-slot profiles - 30series
 30x80 profile



$I_y = 27.47\text{cm}^4$
 $I_x = 11.73\text{cm}^4$
 $W_y = 11.82\text{cm}^3$
 $W_x = 8.97\text{cm}^3$
 $A = 6.10\text{cm}^2$
 $M = 1.67\text{kg/m}$
 Max. length: 6000mm

Profile 30x80
part number: AL-3080
 Alloy: 6106-T6
 Finish: natural anodized

machining services

	cut to size	CTS-3080
	cut α max. 45°	CTS-80 α
	cut α and β max. 45°	CTS-80 $\alpha\beta$
	tap one end 2xM8	TOE-3080
	tap both ends 4xM8	TBE-3080
	drill $\varnothing 8\text{mm}$ hole 30 side	DR-B30
	drill $\varnothing 8\text{mm}$ hole 80 side	DH-B80
	drill $\varnothing 10\text{mm}$ hole 30 side	DR-BC30
	drill $\varnothing 10\text{mm}$ hole 80 side	DH-BC80