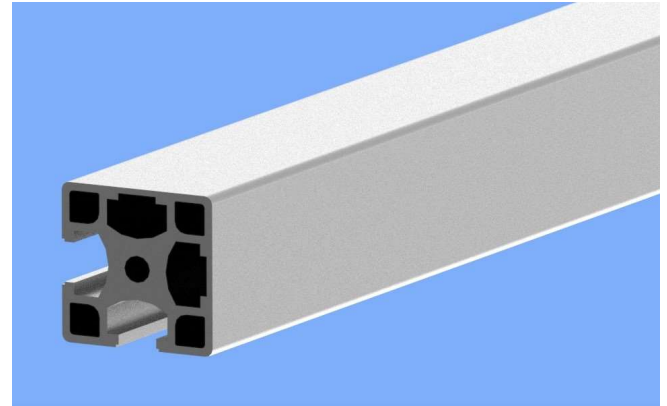
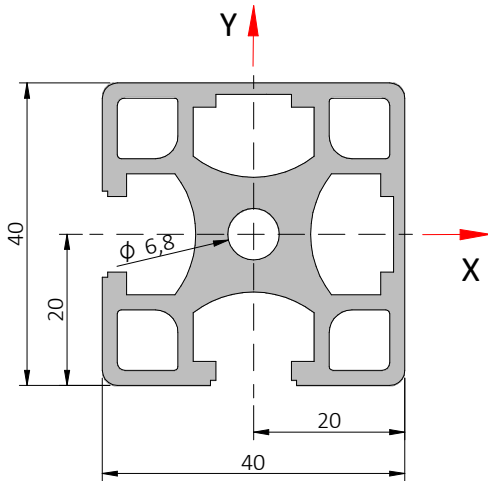








T-slot profiles - 40 series 40x40/90 profile



$I_{xy} = 8.82 \text{ cm}^4$
 $W_{xy} = 4.41 \text{ cm}^3$
 $A = 6.18 \text{ cm}^2$
 $M = 1.67 \text{ kg/m}$
 Max. length: 6000mm

Profile 40x40/90
part number: AL-4040-90
 Alloy: 6106-T6
 Finish: natural anodized

machining services

	cut to size	CTS-40
	cut α max. 45°	CTS-40 α
	cut α and β max. 45°	CTS-40 $\alpha\beta$
	tap one end M8	TOE-40
	tap both ends M8	TBE-40
	drill $\varnothing 8$ mm hole	DR-B40