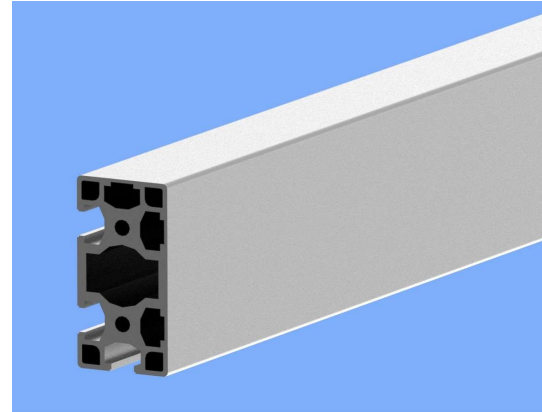
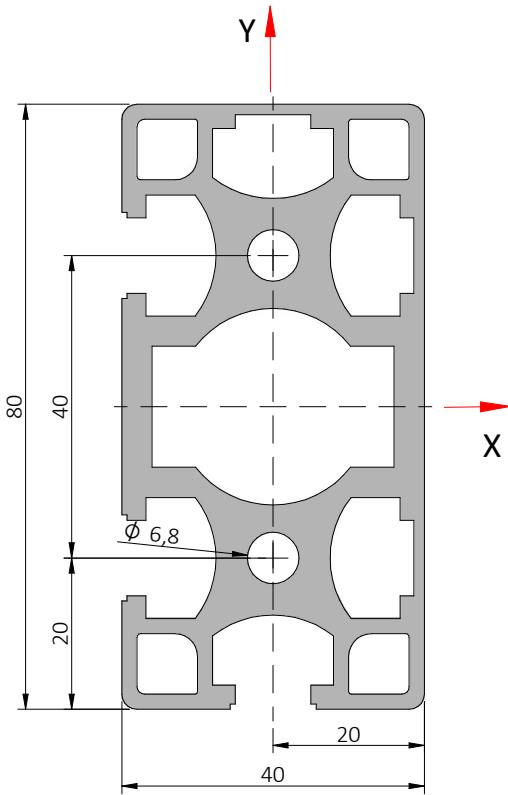








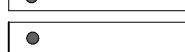
T-slot profiles - 40 series
 40x80/90 profile



$I_y = 74.24\text{cm}^4$
 $I_x = 20.98\text{cm}^4$
 $W_y = 18.56\text{cm}^3$
 $W_x = 10.49\text{cm}^3$
 $A = 11.89\text{cm}^2$
 $M = 3.41\text{kg/m}$
 Max. length: 6000mm

Profile 40x80/90
part number: AL-4080-90
 Alloy: 6106-T6
 Finish: natural anodized

machining services

| | | |
|---|---|----------------------|
|  | cut to size | CTS-80 |
|  | cut α max. 45° | CTS-80 α |
|  | cut α and β max. 45° | CTS-80 $\alpha\beta$ |
|  | tap one end 2xM8 | TOE-4080 |
|  | tap both ends 4xM8 | TBE-4080 |
|  | drill $\varnothing 8\text{mm}$ hole 40 side | DR-B40 |
|  | drill $\varnothing 8\text{mm}$ hole 80 side | DH-B80 |