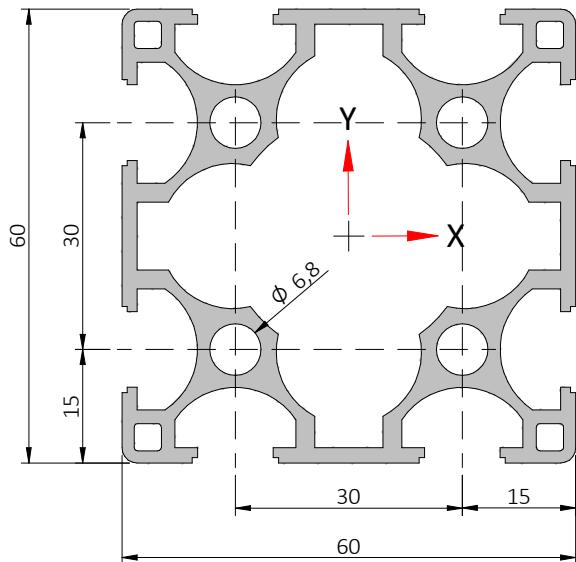


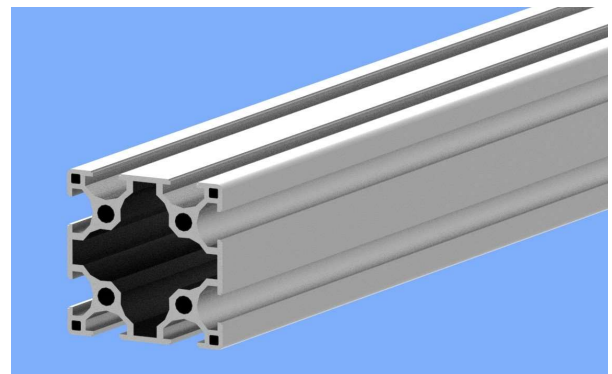
T-slot profiles - 30 series
 60x60 profile



Profile 60x60
 part number: AL-6060



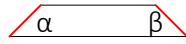




Alloy: 6106-T6

Finish: natural anodized



$I_{xy} = 30.52\text{cm}^4$
 $W_{xy} = 10.84\text{ cm}^3$
 $A = 8.03\text{cm}^2$
 $M = 2.17\text{kg/m}$
 Max. length: 6000mm

machining services

	cut to size	CTS-60
	cut α max. 45°	CTS-60 α
	cut α and β max. 45°	CTS-60 $\alpha\beta$
	tap one end 4xM8	TOE-6060
	tap both ends 8xM8	TBE-6060
	drill $\varnothing 8\text{mm}$ hole	DR-B60
	drill $\varnothing 10\text{mm}$ hole	DR-BC60